

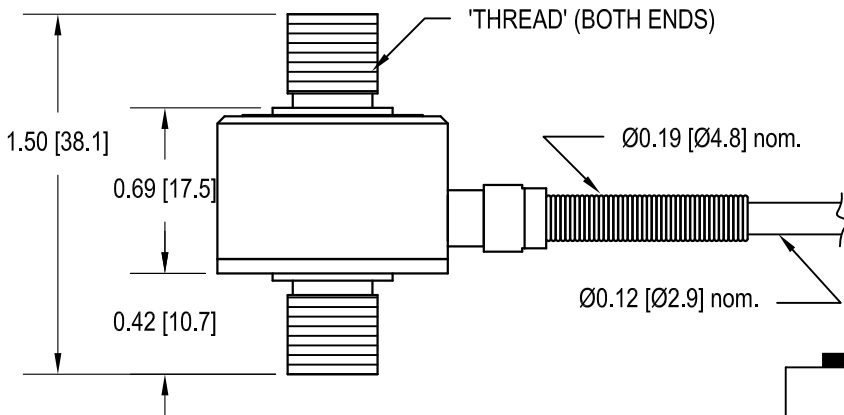
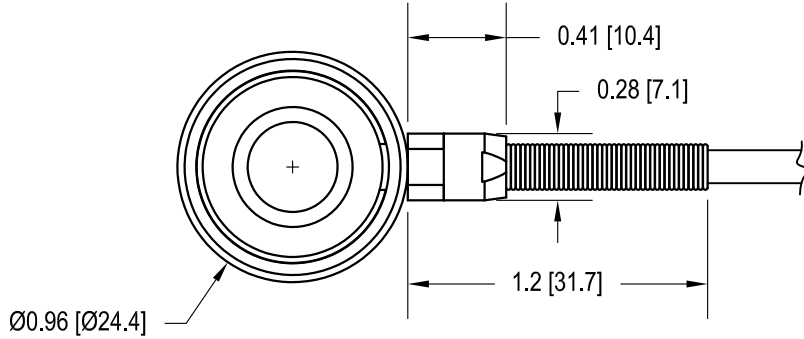
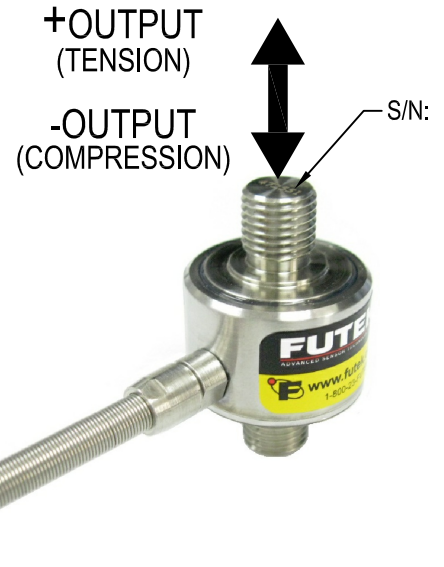
FUTEK MODEL LCM325 (L1650) MINIATURE INLINE THREADED TENSION AND COMPRESSION LOAD CELL

Drawing Number: FI1060-B

INCH [mm] | R.O.= Rated Output

WIRING CODE (WC1)

+Excitation	-Excitation	+Signal	-Signal
RED	BLACK	GREEN	WHITE
Shield			
FLOATING			



ITEM#	CAPACITIES		THREAD	OUTPUT	SHUNT VALUE
	lb	N			
FSH03666	2K	8896	3/8-24-2A	1.3 mV/V nom.	100 KΩ
FSH03667	2K	8896	M10 X 1.5- 6g	1.3 mV/V nom.	100 KΩ
FSH00672	3K	13344	3/8-24-2A	2 mV/V nom.	60.4 KΩ
FSH03658	3K	13344	M10 X 1.5- 6g	2 mV/V nom.	60.4 KΩ

SPECIFICATIONS:

RATED OUTPUT	SEE CHART
SAFE OVERLOAD	150% of R.O.
ZERO BALANCE	±3% of R.O.
EXCITATION (VDC OR VAC)	18 MAX
BRIDGE RESISTANCE	350 Ω nom.
NONLINEARITY	±0.5% of R.O. } IMPROVED ACCURACY
HYSTERESIS	±0.5% of R.O. } AVAILABLE CONTACT
NONREPEATABILITY	±0.1% of R.O. } FACTORY
TEMP. SHIFT ZERO	±0.005% of R.O./°F [0.01% of R.O./°C]
TEMP. SHIFT SPAN	±0.02% of LOAD/°F [0.036% of LOAD/°C]
COMPENSATED TEMP.	60 to 160°F [15 to 72°C]
OPERATING TEMP.	-45 to 200°F [-42 to 93°C]
WEIGHT	4oz. [113g]
MATERIAL (FLEXURE)	17-4PH S.S.
DEFLECTION	0.001 to 0.002 [0.03 to 0.05] nom.
CABLE: #28 AWG, 4 Conductor, Spiral Shielded PVC Cable 10 ft [3 m] Long	
ACCESSORIES AND RELATED INSTRUMENTS AVAILABLE	
CALIBRATION (STD)	5 pt TENSION; SEE CHART FOR SHUNT CAL. VALUE
CALIBRATION (AVAILABLE)	COMPRESSION
CALIBRATION TEST EXCITATION	10 VDC



This drawing is submitted solely for the information and exclusive use of the original addressee. It is not to be divulged in whole or in part, by any firm or individual without written permission from FUTEK

10 THOMAS
IRVINE, CA 92618 USA
1-800-23-FUTEK (38835)

INTERNET:
<http://www.futek.com>