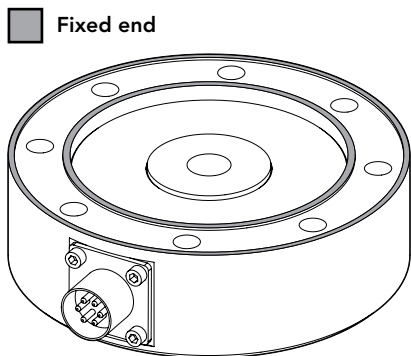
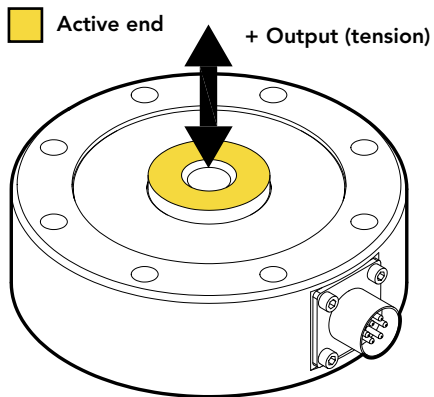




## FEATURES

- Low profile design
- For use in both tension and compression
- Utilizes metal foil strain gauge technology
- Highly resistant to off-axis loading



## SPECIFICATIONS

### PERFORMANCE

Nonlinearity	±0.1% of RO
Hysteresis	±0.2% of RO
Nonrepeatability	±0.02% of RO

### ELECTRICAL

Rated Output (RO)	2 mV/V nom
Excitation (VDC or VAC)	20 max
Bridge Resistance	700 Ohm
Insulation Resistance	≥500 MOhm @ 50 VDC
Connection	6 Pin BENDIX Receptacle (PT02E)
Connector Code	CC1 Standard/CC1T

### MECHANICAL

Weight (approximate)	1.3 lb [0.6 kg] (500-2000 lb) 3.5 lb [1.6 kg] (300, 5000, 10000 lb)
Safe Overload	150% of RO
Material	Anodized aluminum (500-2000 lb) 17-4 PH stainless-steel (300, 5000, 10000 lb)
IP Rating	IP65

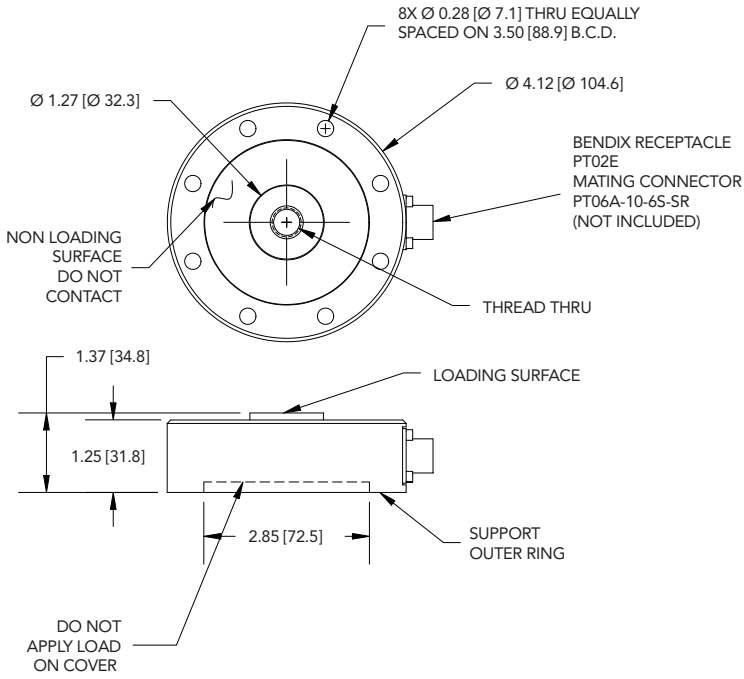
### TEMPERATURE

Operating Temperature	-60 to 200°F [-50 to 93°C]
Compensated Temperature	60 to 160°F [15 to 72°C]
Temperature Shift Zero	±0.001% of RO/°F [0.0018% of RO/°C]
Temperature Shift Span	±0.002% of Load/°F [0.0036% of Load/°C]

### CALIBRATION

Calibration Test Excitation	10 VDC
Calibration (standard)	5-pt Compression
Shunt Calibration Value	100 kOhm

**DIMENSIONS** inches [mm]

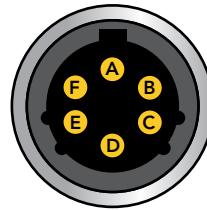


**CAPACITIES**

ITEM #	lb	N	Thread	Deflection (in)	Natural Frequency (Hz)
FSH04167	300	1334	5/8-18	0.001	2300
FSH04168	500	2224	5/8-18	0.001	3000
FSH04169			M16 X 2		
FSH04170	1000	4448	5/8-18	0.002	3000
FSH04171			M16 X 2		
FSH04172	2000	8896	5/8-18	0.001	6300
FSH04173			M16 X 2		
FSH04174	5000	22240	5/8-18	0.002	7000
FSH04175			M16 X 2		
FSH04176	10000	44480	5/8-18	0.004	7000
FSH04177			M16 X 2		

**BENDIX 6-PIN (CC1/CC1T)**

PIN	COLOR	DESCRIPTION	TEDS DESCRIPTION
A	Red	+ Excitation	+ Excitation
B	Black	- Excitation	- Excitation
C	Green	+ Signal	+ Signal
D	White	- Signal	- Signal
E	Orange	+ Sense	TEDS Data
F	Blue	- Sense	TEDS GND



Sensor Receptacle View

Drawing Number: FI1445

FUTEK reserves the right to modify its design and specifications without notice. Please visit [www.futek.com/salesterms](http://www.futek.com/salesterms) for complete terms and conditions.

10 Thomas, Irvine, CA 92618 USA

Tel: (949) 465-0900

Fax: (949) 465-0905

[www.futek.com](http://www.futek.com)



U.S. Manufacturer