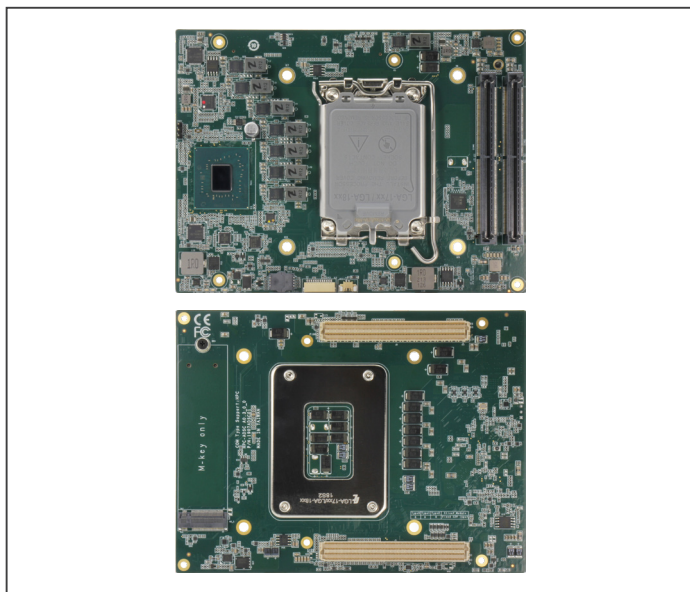


# HPC-ADSC / HPC-RPSC

COM HPC Client Size C with 12th/13th Gen Intel® Core™ Processors



## Features

- DDR5 4800 MHz, Dual Channel SODIMM x 2, up to 64GB
- USB 2.0 x 8, USB 3.2 x 6
- PCIe [x1] x 8, PCIe [x4] x 3, PEG [x16] x 1
- Intel® I226-LM 2.5GbE x 2
- M.2 2280 M-Key x 1
- COM HPC Client Type, Size C, 6.30" x 4.72" (160mm x 120mm)



## Specifications

System	
Form Factor	COM HPC Client Size C
CPU	<p>13th Generation Intel® Core™ Processors:</p> <p>Intel® Core™ i9-13900E (24C/32T, 1.80 GHz, E-core 1.30 GHz, 65W)            Intel® Core™ i9-13900 (24C/32T, 2.00 GHz, E-core 1.50 GHz, 65W)            Intel® Core™ i7-13700E (16C/24T, 1.90 GHz, E-core 1.30 GHz, 65W)            Intel® Core™ i5-13500E (14C/20T, 2.40 GHz, E-core 1.50 GHz, 65W)</p> <p>12th Generation Intel® Core™ Processors:</p> <p>Intel® Core™ i9-12900E (16C/24T, 2.30 GHz, E-core 1.70 GHz, 65W)            Intel® Core™ i7-12700E (12C/20T, 2.10 GHz, E-core 1.60 GHz, 65W)            Intel® Core™ i7-12700 (12C/20T, 2.10 GHz, E-core 1.60 GHz, 65W)</p>
Chipset	Intel® R680E
Memory	DDR5 4800 MHz, Dual Channel SODIMM x 2, up to 64GB(ECC)
Onboard Storage	—
BIOS	AMI UEFI
Wake on LAN	Yes
Watchdog Timer	255 Levels
Dimension	6.30" x 4.72" (160mm x 120mm)
Security	TPM 2.0
Power	
Power Requirement	+12V and +5VSB for ATX, +12V for AT
Power Type	AT/ATX
Power Consumption (Typical)	Intel® Core™ i9-13900E, 7.13A @+12V
Display	
Graphics Controller	Intel® UHD Graphics 770
Video Output	4 Simultaneous Displays: eDP x 1, up to 3840 x 2160 @60Hz DDI x 3, up to 3840 x 2160 @144Hz
I/O	
Ethernet	Intel® I226-LM 2.5GbE x 2
Audio	High Definition Audio Interface
USB Port	USB 2.0 x 8 USB 3.2 Type-C x 4 (20Gbps x 2, 10Gbps x 2) USB 3.2 Type-A x 2 (10Gbps)
Serial Port	4-Wire UART x 2 (Tx/Rx)
HDD Interface	SATA III x 2
Expansion	PEG 5.0 [x16] x 1 PCIe 4.0 [x4] x 3 PCIe 3.0 [x1] x 8 eSPI x 1 LPC x 1

GPIO	12-bit
SMBus/I2C	I2C x 2, SMBus x 1
Environment	
Operating Temperature	32°F ~ 140°F (0°C ~ 60°C)
Storage Temperature	-40°F ~ 185°F (-40°C ~ 85°C)
Operating Humidity	0% ~ 90% relative humidity, non-condensing
EMC	CE/FCC Class A
OS Support	Windows® 10 (64-bit) Linux Ubuntu 20.04.1/Kernel 5.15
Weight	0.66 lb. (0.30Kg)

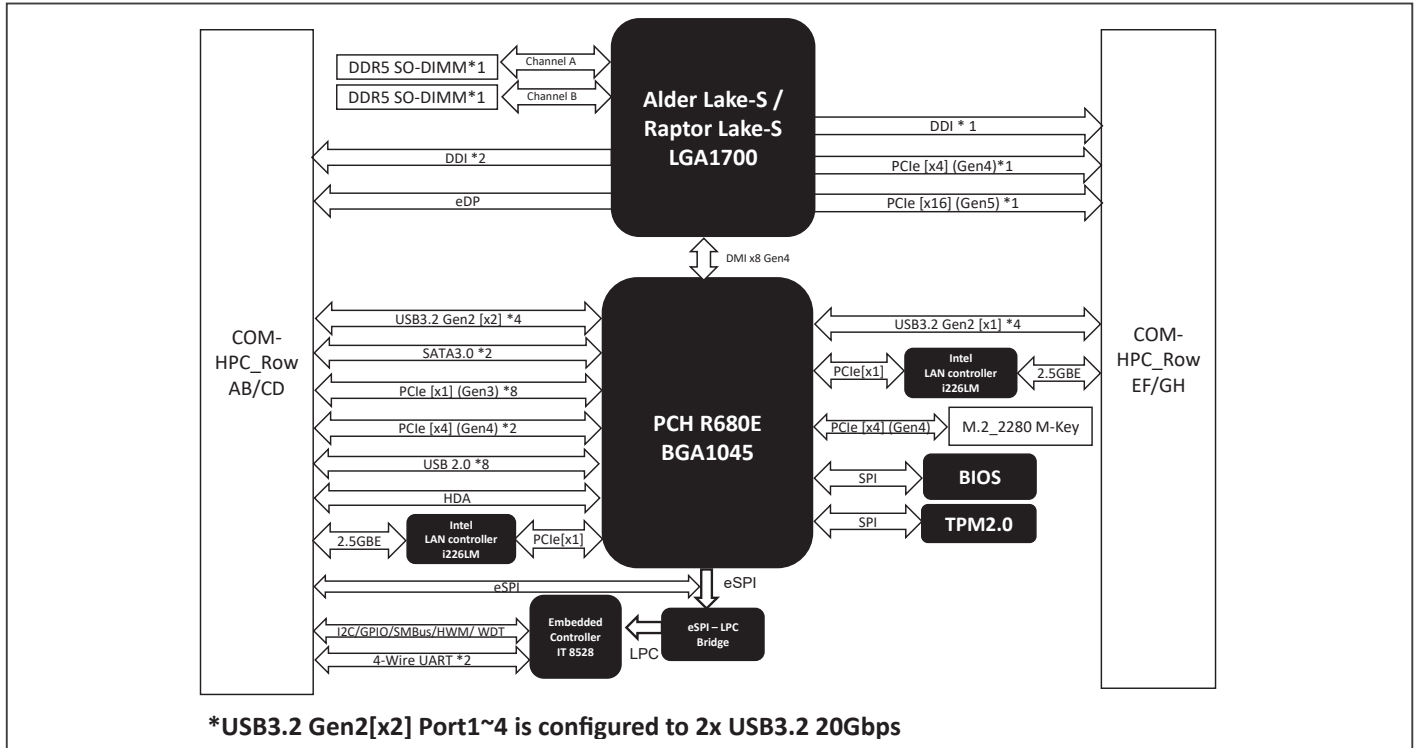
## Packing List

- HPC-RPSC

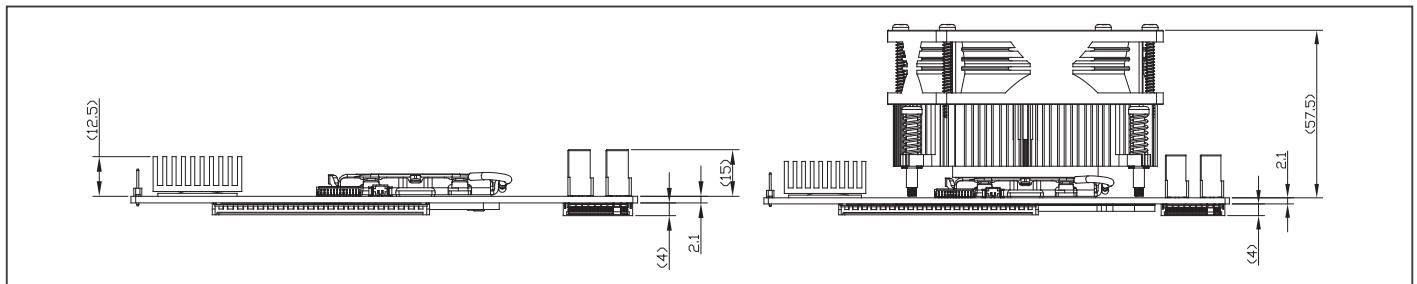
## Optional Accessories

Part Number	Description
ECB-980A-A11-0001	COM HPC Client Carrier, Size A/B/C, HDMI, DP, 2GbE, 3USB(TypeC), 2SATA, PCIe, ATX, A1.1
HPC-RPSC-FAN01	Cooler, 90mm x 90mm x 50mm, 4pin

## Block Diagram Unit: mm



## Dimension Unit: mm



## Ordering Information

Part Number	COM Express Type	CPU	Memory	ECC support	Display	Storage	LAN	USB	UART	Expansion	Power	Temperature	Others
HPC-RPSC-A10-0001	HPC Client Size C	12th/13th Gen Intel® Core™ Series	DDR5 SODIMM x 2	Yes	eDP x 1, DDI x 3	SATA III x 2	Intel® I226-LM x 2	USB 2.0 x 8 USB 3.2 Type-C x 4 (20Gbps x 2, 10Gbps x 2) USB 3.2 Type-A x 2 (10Gbps)	4-Wire UART x 2 (Tx/Rx)	PEG [x16] x 1 PCIe [x4] x 3 PCIe [x1] x 8	12V	0°C – 60°C	LPC, GPIO 12-bit, I2C, SMBus, SPI