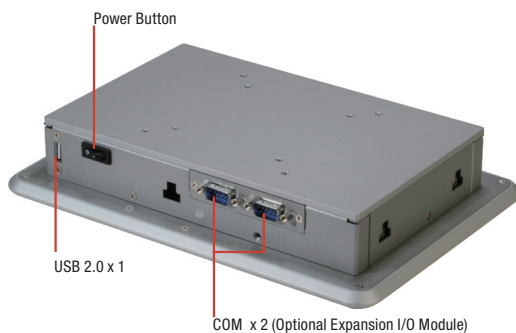
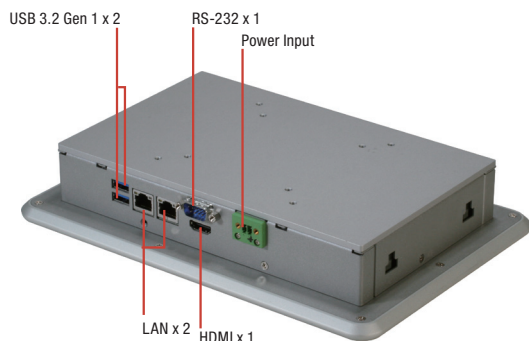


# ACP-1106

10.1" WXGA Multi-Touch Panel PC With Intel® Pentium® N4200/ Celeron® N3350 Processor, 4 GB RAM



**9761107601**  
USB 2.0 x 2



**9761107600**  
RS-232/422/485 x 2



## Features

- 10.1" WXGA (1280 x 800) Color TFT LCD Display
- Intel® Pentium® N4200/ Celeron® N3350 Processor
- Projected Capacitive Multi Touch
- IP65 Compliant Aluminum Front Bezel
- Fanless System
- VESA 75/Panel Mount Support
- DC 9~30V

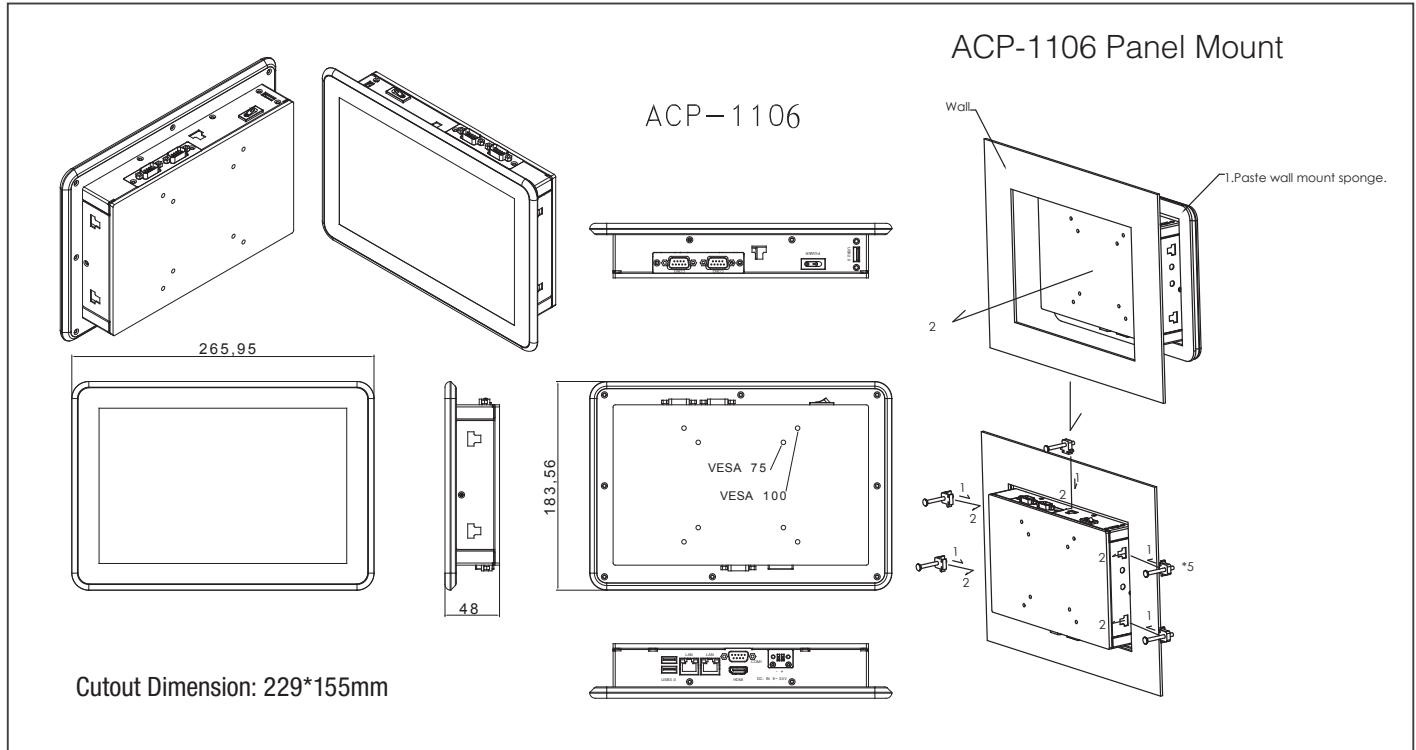


## Specifications

System	
Processor	Intel® Pentium® N4200 processor, 1.1 GHz (Quad-Core), Burst frequency 2.5GHz Intel® Celeron® N3350 processor, 1.1 GHz (Dual-Core), Burst frequency 2.4GHz
System Memory	DDR3L 1866, Single Channel SODIMM x 1, Non-ECC (Max.8GB, up to 1600MHz)
LCD/CRT controller	Integrated in processor
Ethernet	10/100/1000 Base-TX, RJ-45 x 2
Bottom I/O Port	DB9 Type RS-232 x 1 USB 3.2 Gen 1 x 2 HDMI x 1 RJ-45 10/100/1000 LAN x 2 2 Pin terminal block for power input
Top I/O Port	Power Button x 1 Type A USB 2.0 x 1 Expansion I/O Slot
Storage Disk Drive	Full Size mSATA x 1
Expansion Slot	Half size mini card x 1(Internal)
OS support	Windows® 10, Linux Kernel 4.4.0 or higher
Mechanical	
Construction	Aluminum Front Bezel + Metal Chassis
Mounting	VESA 75, Panel Mount
Dimension	10.47" x 7.24 x 1.89" (266 x 184 x 48mm)
Carton Dimension	13.38" x 7.64 x 9.96" (340 x 194 x 253mm)
Gross Weight	6.38 lb (2.9 kg)
Environmental	
Operating Temperature	23°F ~ 122°F (-5°C ~ 50°C) with 0.5 m/s airflow
Storage Temperature	-4°F ~ 158°F (-20°C ~ 70°C)
Storage Humidity	90% @40°C; non-condensing
Vibration	1 Grms/ 5~ 500Hz/ operation – with HDD
Shock	—
EMC	CE/FCC Class A
Power Supply	
DC input	DC 9~30V
LCD	
Display Type	10.1" TFT-LCD, LED
Max Resolution	1280 x 800
Max. Colors	262K colors (6 bit for R,G,B)
Luminance	300 cd/m <sup>2</sup>
Viewing Angle	170° (H), 170° (V)
Back Light	LED
Back Light MTBF (Hours)	—
Touch Screen	
Type	P-CAP Touchscreen
Light Transmission	90%

## Dimension

Unit: mm



## Ordering Information

Part Number	Display Type	Max Resolution	Luminance	View Angle	Backlight MTBF	CPU	LAN	USB 3.2 Gen 1	USB 2.0	RS-232	RS-232 /422/485	Storage	RAM	Display	Expansion	Mounting	Power	Temp.	Touch
ACP-1106HTT-A1-1014	10.1" TFT-LCD	1280 x 800	300 cd/m <sup>2</sup>	170°(H)/170°(V)	25,000	Intel® Pentium® N4200	2	2	1	1	0	Full Size mSATA x 1	4GB DDR3L RAM Included	HDMI x 1	- Half size mini card slot x 1 - Expansion I/O window x 1	Stand, Panel, VESA 75	DC 9~30V	23°F ~ 122°F (-5°C ~ 50°C) (w/ airflow)	PCAP T/S
ACP-1106HTT-A3-1014	10.1" TFT-LCD	1280 x 800	300 cd/m <sup>2</sup>	170°(H)/170°(V)	25,000	Intel® Celeron® N3350	2	2	1	1	0	Full Size mSATA x 1	4GB DDR3L RAM Included	HDMI x 1	- Half size mini card slot x 1 - Expansion I/O window x 1	Stand, Panel, VESA 75	DC 9~30V	23°F ~ 122°F (-5°C ~ 50°C) (w/ airflow)	PCAP T/S
ACP-1106HTT-B1-1014	10.1" TFT-LCD	1280 x 800	300 cd/m <sup>2</sup>	170°(H)/170°(V)	25,000	Intel® Pentium® N4200	2	2	1	1	0	Full Size mSATA x 1	4GB DDR3L RAM Included	HDMI x 1	- Half size mini PCIe slot x 1 with WiFi module installed - Expansion I/O window x 1	Stand, Panel, VESA 75	DC 9~30V	23°F ~ 122°F (-5°C ~ 50°C) (w/ airflow)	PCAP T/S
ACP-1106HTT-B3-1014	10.1" TFT-LCD	1280 x 800	300 cd/m <sup>2</sup>	170°(H)/170°(V)	25,000	Intel® Celeron® N3350	2	2	1	1	0	Full Size mSATA x 1	4GB DDR3L RAM Included	HDMI x 1	- Half size mini PCIe slot x 1 with WiFi module installed - Expansion I/O window x 1	Stand, Panel, VESA 75	DC 9~30V	23°F ~ 122°F (-5°C ~ 50°C) (w/ airflow)	PCAP T/S

## Packing List

- Panel Mount Kit
- VESA Screws
- ACP-1106

## Optional Accessories

- **1702031802**  
Power Cord (US Type)
- **1702031803**  
Power Cord (European Type)
- **170203180E**  
Power Cord (Japanese Type)
- **M041073020**  
Stand Kit
- **9761107600**  
RS-232/422/485 x 2 (Expansion I/O Module)
- **9761107601**  
USB 2.0 x 2 (Expansion I/O Module)
- **1255300611**  
2 Pin 60W power adapter

## Full Size mSATA Storage Device:

- **AP-SS968C008G1N**  
Full-sized, 8GB mSATA, MLC, -40°C ~ 85°C
- **AP-SS968C016G3P**  
Full-sized, 16GB mSATA, MLC, -40°C ~ 90°C
- **AP-SS968C032G3R**  
Full-sized, 32GB mSATA, MLC, -40°C ~ 90°C
- **AP-SS968C064G3F**  
Full-sized, 64GB mSATA, MLC, -40°C ~ 90°C
- **AP-SS968C128G1W**  
Full-sized, 128GB mSATA, MLC, -40°C ~ 90°C
- **9C1256G00B**  
Full-size, 256GB.mSATA SSD, 3D TLC, -40°C~85°C
- **9C1512G004**  
Full-size, 512GB.mSATA SSD, 3D TLC, -40°C~85°C
- **9C1001T005**  
Full-size, 1TB.mSATA SSD, 3D TLC, -40°C~85°C  
Note: AAEON factory-installed mSATA HDD is strongly recommended.
- **9C1128G009**  
Full-size, 128GB.mSATA SSD, 3D TLC, -40°C~85°C