

ALTA Wireless Sensor Adapter



General Description

The ALTA wireless sensor adapter allows ALTA long range wireless sensors to communicate with local or online wireless sensor monitoring systems by connecting to a PC or 3rd party IoT gateways via USB connection.

Easy plug & play support for PC use. If the PC has an active internet connection and you wish to use it with the iMonnit online software, install the free Monnit Gateway application to pass sensor data to the online system. If you wish to use your wireless sensors locally (collect and store sensor data on your PC), purchase and install the Monnit Express standalone software and all sensor data will be stored within the standalone software's database. The Monnit Express software allows you to export sensor data in a .csv format spreadsheet, and is also capable of sending SMS text and email alerts if the host computer has an active Internet connection.

With the online iMonnit software, you can easily configure your network, view collected sensor data and set alarms through SMS or e-mail, all from any web enabled browser. The system allows for complete configuration and customization at a sensor, local network, or client wide level.

The ALTA wireless sensor adapter is specifically designed to respond to the increasing market need for global technology that accommodates a variety of vertical M2M application segments and remote wireless sensor management solutions. With support for several leading 3rd party IoT gateways, it is easy to integrate ALTA long range wireless sensors with existing IoT platforms.

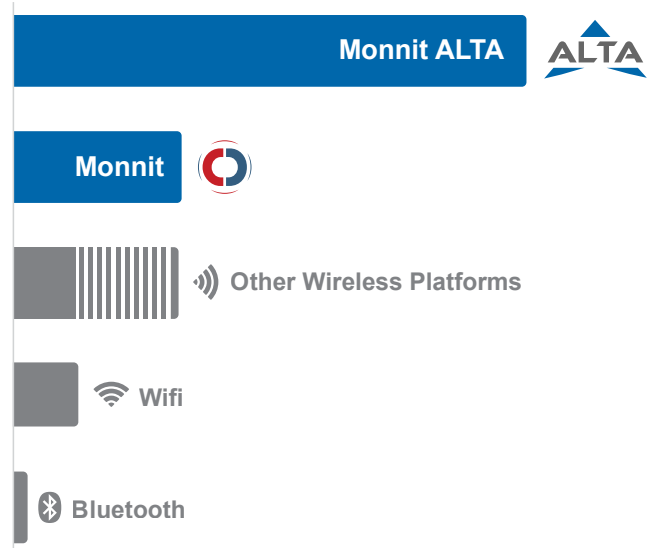
Enjoy reliable, low cost, wireless monitoring of your facilities or specific applications, with Monnit wireless sensor networks.

ALTA Wireless Sensor Adapter Features

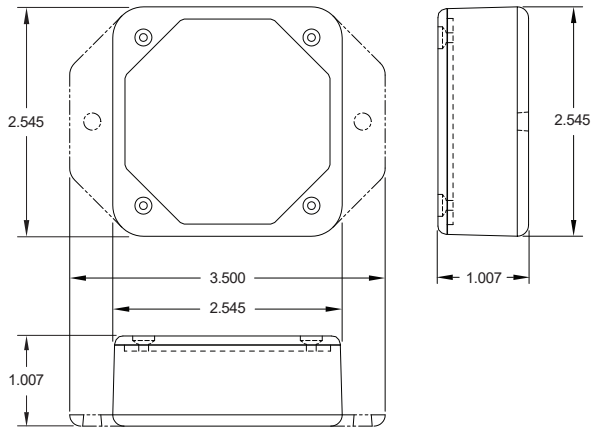
- Wireless range of 1,000+ feet through 12-14 walls *
- 900 MHz Frequency Hopping Spread Spectrum (FHSS) 868 and 433 MHz Frequency Agile
- Improved interference immunity
- Encrypt-RF™ Security (Diffie-Hellman Key Exchange + AES-128 CBC for sensor data messages)
- 16,000 sensor message memory
- Over the air updates (future proof)
- Optional RS232 DB9 communication port
- USB, RS232, or external power options
- Can be used with both iMonnit Online Software or Monnit Express Standalone PC Software
- Uses standard FTDI driver so no driver installation required
- External USB cable allows gateway to be positioned for improved communication range
- Programmable heart-beat control
- Supports up to 100 wireless sensors per USB
- Windows 10, 8, 7, and Vista compatible

* Actual range may vary depending on environment.

Wireless Range Comparison



ALTA Wireless Sensor Adapter Dimensions



Example Applications

- Facilities / Building Operations
- Restaurants / Food Service
- Server Rooms / Data Closets
- Pharmaceutical / Labs
- Heating and Cooling
- Agriculture Monitoring
- And many more...

ALTA Wireless Sensor Adapter Specifications

USB

Type:	USB 2.0 Full Speed Bus Standard
Display Name:	Monnit USB Radio Gateway
Display Type:	MonnitApnClass
Software Version:	3.4.0.2 or later
Software Compatible Platforms:	Microsoft Windows 10, 8, 7 or Vista required. (Windows XP and older are not supported.)
Bus Reported Device Description:	M+ LINK
Memory Capacity:	14,336 up messages (to gateway/server) 2,048 down messages (to sensors)
RS232 (Optional)	115200 baudrate, 8 data bits, no parity, 1 stop bit, DB9 connector

Power

Power	Powered through USB output of PC (Optional) External Power (Optional) RS232 Power Pin 4 (Optional) RS232 Power Pin 8
Maximum Power Required:	100 mA

Mechanical

Enclosure	ABS plastic
Dimensions	3.5 in. x 2.545 in. x 1.007 in.
Weight	4 ounces

Environmental

Operating Temperature	-40°C to +85°C
-----------------------	----------------

Wireless

Wireless Range	1,000+ ft. non-line-of-sight **
Security	Encrypt-RF™ (256-bit key exchange and AES-128 CTR)
Certifications	900 MHz product; FCC ID: ZTL- G2SC1 and IC: 9794A-G2SC1. 868 and 433 MHz product tested and found to comply with: EN 300 220-2 V3.1.1 (2017-02), EN 300 220-2 V3.1.1 (2017-02) and EN 60950.



* Hardware cannot withstand negative voltage. Please take care when connecting a power device.

** Actual range may vary depending on environment.

Caution / Notice:

Monnit commercial grade products are designed for applications in ordinary environments (normal room temperature, humidity and atmospheric pressure). Do not use these sensors under the following conditions as these factors can deteriorate the product characteristics and cause failures and burn-out.

- Corrosive gas or deoxidizing gas - chlorine gas, hydrogen sulfide gas, ammonia gas, sulfuric acid gas, nitric oxides gas, etc.)
- Volatile or flammable gas
- Dusty conditions
- Under low or high pressure
- Wet or excessively humid locations
- Places with salt water, oils chemical liquids or organic solvents
- Where there are excessively strong vibrations
- Other places where similar hazardous conditions exist

Use these product within the specified temperature range. Higher temperature may cause deterioration of the characteristics or the material quality of this product.



For more information about our products or to place an order, please contact our sales department at 801-561-5555.

Visit us on the web at www.monnit.com.

Monnit Corporation
3400 South West Temple
South Salt Lake, UT 84115
801-561-5555
www.monnit.com