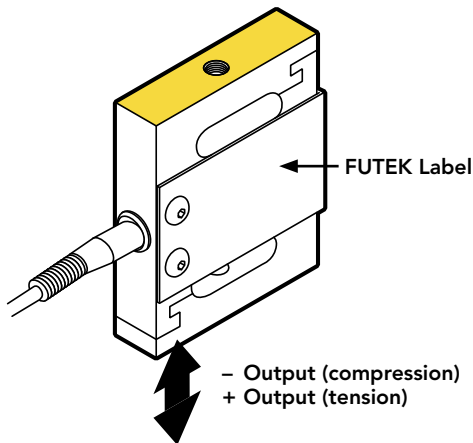




FEATURES

- Up to 10 times the overload protection
- For in line use in both tension and compression
- Notable nonlinearity
- Connector or robust cable strain relief

Mounting end



SPECIFICATIONS

PERFORMANCE

| | |
|------------------|--------------|
| Nonlinearity | ±0.05% of RO |
| Hysteresis | ±0.05% of RO |
| Nonrepeatability | ±0.05% of RO |

ELECTRICAL

| | |
|-------------------------|--|
| Rated Output (RO) | 2 mV/V nom |
| Excitation (VDC or VAC) | 20 max |
| Bridge Resistance | 1000 Ohm nom |
| Insulation Resistance | ≥500 MOhm @ 50 VDC |
| Connection | #28 AWG, 6 conductor, polyurethane cable, 5 ft [1.5 m] long. 4-Pin LEMO® connector receptacle standard |
| Connector Code | CC4 |

MECHANICAL

| | |
|----------------------|------------------------------------|
| Weight (approximate) | 5 oz [142 g] |
| Safe Overload | 1000% (25–100 lb) 500% (300 lb) |
| Material | Anodized aluminum |
| IP Rating | IP64 |

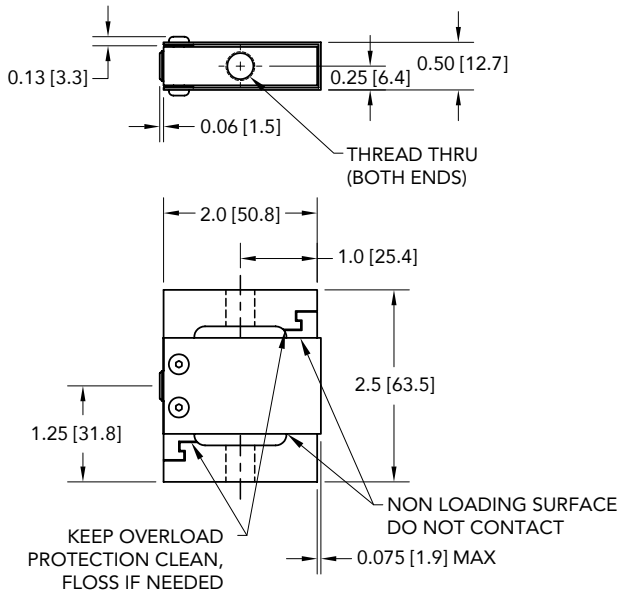
TEMPERATURE

| | |
|-------------------------|---|
| Operating Temperature | -60 to 200°F [-50 to 93°C] (Lemo Version) -40 to 176°F [-40 to 80°C] (Cable Version) |
| Compensated Temperature | 60 to 160°F [15 to 72°C] |
| Temperature Shift Zero | ±0.001% of RO/°F [0.0018% of RO/°C] |
| Temperature Shift Span | ±0.0008% of Load/°F [0.0014% of Load/°C] |

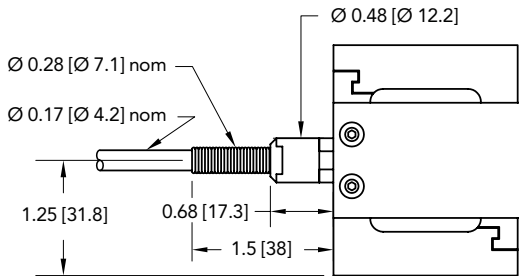
CALIBRATION

| | |
|-----------------------------|--|
| Calibration Test Excitation | 10 VDC |
| Calibration (standard) | 5-pt Tension; 150 kOhm Shunt Calibration Value |
| Calibration (available) | Tension and Compression |
| Shunt Calibration Value | 150 kOhm |

DIMENSIONS inches [mm]



#28 AWG, 6 CONDUCTOR POLYURETHANE CABLE (5FT) OPTION



WIRING CODE (WC4)

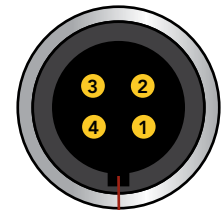
| | |
|--------|--------------|
| RED | + EXCITATION |
| BLACK | - EXCITATION |
| GREEN | + SIGNAL |
| WHITE | - SIGNAL |
| ORANGE | + SENSE |
| BLUE | - SENSE |
| SHIELD | GROUND |

CAPACITIES

| ITEM # | lb | N | Thread | Natural Frequency (Hz) | Deflection (in.) | Connector | |
|----------|-----|------|-----------|------------------------|------------------|-----------|-------|
| | | | | | | LEMO® | Cable |
| FSH04200 | 25 | 111 | 1/4-28 | 750 | 0.004 | X | |
| FSH04210 | | | | | | X | |
| FSH04205 | | | | | | | |
| FSH04215 | | | M6 x 1 | | | | X |
| FSH04201 | 50 | 222 | 1/4-28 | 800 | 0.007 | X | |
| FSH04211 | | | | | | X | |
| FSH04206 | | | | | | | |
| FSH04216 | | | M6 x 1 | | | | X |
| FSH04202 | 100 | 445 | 1/4-28 | 1100 | 0.008 | X | |
| FSH04212 | | | | | | X | |
| FSH04207 | | | | | | | |
| FSH04217 | | | | | | | |
| FSH04204 | 300 | 1334 | 1/4-28 | 1600 | 0.01 | X | |
| FSH04214 | | | | | | X | |
| FSH04209 | | | | | | | |
| FSH04219 | | | M10 x 1.5 | | | | X |

LEMO 4-PIN

| PIN | COLOR | DESCRIPTION |
|-----|-------|--------------|
| 1 | Red | + Excitation |
| 2 | Green | + Signal |
| 3 | White | - Signal |
| 4 | Black | - Excitation |



Align with key

Sensor Receptacle View

Drawing Number: FI1446

FUTEK reserves the right to modify its design and specifications without notice. Please visit www.futek.com/salesterms for complete terms and conditions.

10 Thomas, Irvine, CA 92618 USA

Tel: (949) 465-0900

Fax: (949) 465-0905

www.futek.com



U.S. Manufacturer