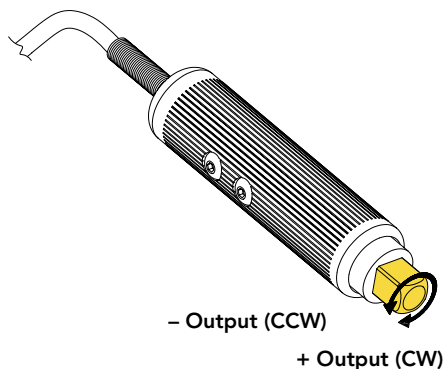




**FEATURES**

- Designed for Torque auditing
- Red anodized aluminum housing
- Slim design
- High accuracy

**Active end**



**SPECIFICATIONS**

**PERFORMANCE**

|                  |             |
|------------------|-------------|
| Nonlinearity     | ±0.2% of RO |
| Hysteresis       | ±0.2% of RO |
| Nonrepeatability | ±0.1% of RO |

**ELECTRICAL**

|                         |  |
|-------------------------|--|
| Rated Output (RO)       | 1 mV/V (50 in-oz)<br>2 mV/V (100 in-oz) nom                          |
| Excitation (VDC or VAC) | 18 max   |
| Bridge Resistance       | 1000 Ohm nom   |
| Connection              | #28 AWG, 4 conductor, braided shielded PVC cable<br>10 ft [3 m] long |
| Wiring Code             | WC1  |

**MECHANICAL**

|               |                    |
|---------------|--------------------|
| Weight        | 3 oz (w/o adapter) |
| Safe Overload | 150% of RO         |
| Material      | Anodized aluminum  |
| IP Rating     | IP40               |

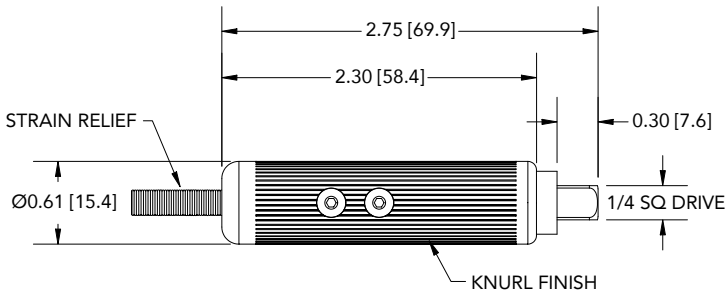
**TEMPERATURE**

|                         |                                       |
|-------------------------|---------------------------------------|
| Operating Temperature   | 0 to 160°F [-18 to 72°C]              |
| Compensated Temperature | 60 to 160°F [15 to 72°C]              |
| Temperature Shift Zero  | ±0.02% of RO/°F [0.036% of RO/°C]     |
| Temperature Shift Span  | ±0.02% of Load/°F [0.036% of Load/°C] |

**CALIBRATION**

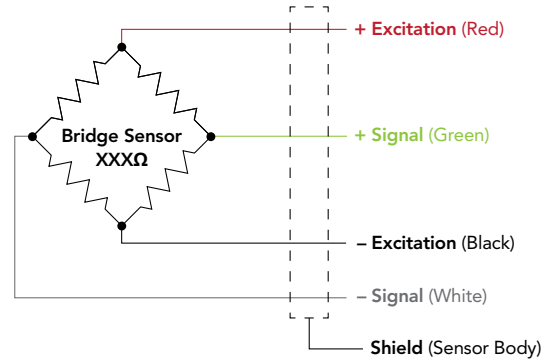
|                             |   |
|-----------------------------|---|
| Calibration Test Excitation | 10 VDC                                      |
| Calibration (standard)      | 5-pt CW                                     |
| Calibration (available)     | 5-pt CCW                                    |
| Shunt Calibration Value     | 301 kOhm (50 in-oz)<br>150 kOhm (100 in-oz) |

**DIMENSIONS** inches [mm]



**WIRING CODE (WC1 WITH SHIELD)**

|        |              |
|--------|--------------|
| RED    | + EXCITATION |
| BLACK  | - EXCITATION |
| GREEN  | + SIGNAL     |
| WHITE  | - SIGNAL     |
| SHIELD | FLOATING     |



**CAPACITIES**

| ITEM #   | in-oz | Nm   |
|----------|-------|------|
| FSH04132 | 50    | 0.35 |
| FSH04133 | 100   | 0.71 |

Drawing Number: FI1471

FUTEK reserves the right to modify its design and specifications without notice. Please visit [www.futek.com/salesterms](http://www.futek.com/salesterms) for complete terms and conditions.

10 Thomas, Irvine, CA 92618 USA

Tel: (949) 465-0900  
Fax: (949) 465-0905

[www.futek.com](http://www.futek.com)



U.S. Manufacturer