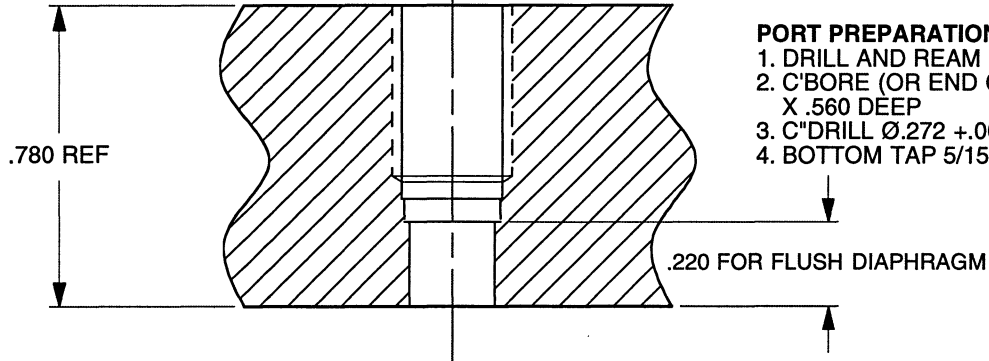
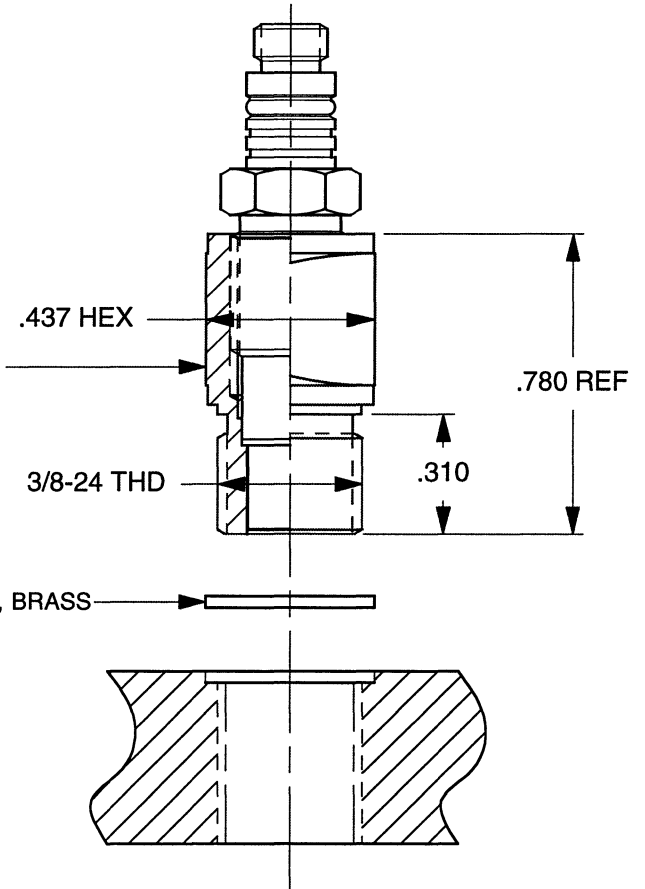


MODEL 6502 ADAPTOR SHOWN WITH 2200C PROBE INSTALLED



- PORT PREPARATION INSTRUCTIONS, 2200V 1**
1. DRILL AND REAM  $\varnothing$ .221 +.001/-0.000 THRU
  2. C'BORE (OR END CUTTING REAM) 1/4 ( $\varnothing$ .250) X .560 DEEP
  3. C'DRILL  $\varnothing$ .272 +.003/-0.001 X .500 DEEP
  4. BOTTOM TAP 5/15-24 UNF-2B X .440 MIN DEPTH

- PORT PREPARATION INSTRUCTIONS, 6502**
1. DRILL Q ( $\varnothing$ .332) THRU (OR .450 MIN DEPTH)
  2. TAP 3/8-24 UNF-2B X .350 MIN DEPTH
  3. C'BORE  $\varnothing$ .437 +.003/-0.000 X .030 DEEP

2. MOUNTING TORQUE FOR 6502 ADAPTOR: 50-60 LB-INCHES.
1. MOUNTING TORQUE FOR 2200C PROBE: 30 LB-INCHES.

		<b>MASTER ONLY IF IN RED</b>		CHATSORTH, CA.	
SCALE	2X	REV	-	DATE	-
DATE	1/22/04	PART NO.			
DRAWN	R.A.	CHECKED	N.C.	MAT'L	
APPROVED	126-04		NEXT ASSEMBLY	USED ON	
TITLE				DWG NO.	
OUTLINE/INSTALLATION DRAWING, MODEL 2200C				127-2200C	
				SHEET 1 OF 1	

## SPECIFICATIONS

### MODEL SERIES 2200C ACCELERATION COMPENSATED CHARGE MODE PRESSURE SENSORS

<u>SPECIFICATION</u>	<u>VALUE</u>	<u>UNITS</u>
SENSITIVITY, ± 15% (ALL MODELS)	1.0	pC/PSI
<u>RANGE, F.S.</u>	<u>MAXIMUM PRESSURE</u>	
MODEL 2200C7	15,000	PSI
MODEL 2200C6	10,000	PSI
MODEL 2200C5	5,000	PSI
MODEL 2200C4	1,000	PSI
MODEL 2200C2	500	PSI
MODEL 2200C1	100	PSI
RESONANT FREQUENCY	250	kHz
RISE TIME, NOM.	2	μSEC
ACCELERATION SENSITIVITY, AXIAL DIRECTION	.002	PSI/G
LINEARITY [1]	1	%F.S.
TEMPERATURE RANGE [2]	-100 to +500	°F
COEFFICIENT OF THERMAL SENSITIVITY	.01	%/°F
MAXIMUM SHOCK	10,000	G
MAXIMUM VIBRATION	+/- 2500	G
MATERIAL, BODY/DIAPHRAGM	17-4 PH/316L	STAINLESS STEEL
ELECTRICAL CONNECTOR	10-32	COAXIAL
ENVIRONMENTAL SEAL	EPOXY	
WEIGHT	7	GRAMS
ACCESSORIES SUPPLIED	(2) MODEL 6600 SEAL, BRASS	

[1] Over any calibrated full scale range within rated full scale. Zero-based best-fit straight-line method.

[2] Maximum flash temperature, short duration (as in pyroshock event), 3000°F.