

ProfiShark 1G+

All-in-One Gigabit Ethernet Troubleshooter

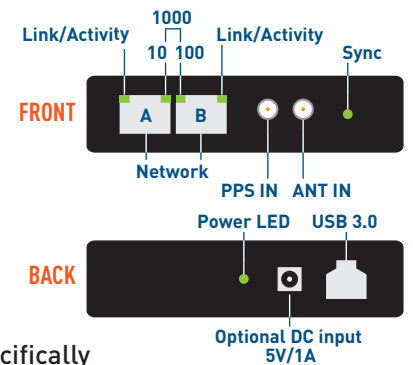
The Ultimate Solution for Field Testing & Monitoring

- A full featured field service tool, compact and easy to use.**
All-in-one in a pocket-sized box, the only additional hardware required being a PC with a free USB 3.0 port, the ProfiShark 1G+ is the perfect tool for the field engineer as well as for long-term traffic collection. As it is based on USB 3.0 (5 Gbit/s), the ProfiShark 1G+ manages full-duplex Gigabit at wirespeed. The ProfiShark 1G+ is fitted with GPS and PPS input ports for advanced timestamping.

- Features**
 - 10/100/1G monitoring on USB 3.0
 - USB 3.0 powered
 - Fail-safe monitoring
 - Hardware aggregation
 - SPAN and In-Line modes
 - Captures any type of frames (VLAN, VXLAN, MPLS, CRC error, Pause, Encapsulated, Short, Jumbo frames...)
 - 8 ns hardware timestamp
 - GPS-linked timestamping with PPS synchronization
 - Real time statistics
 - In-depth network port diagnostic and control
 - Low level error and bandwidth monitoring
 - Direct capture to disk
 - Invisible to the network
 - PoE compliant

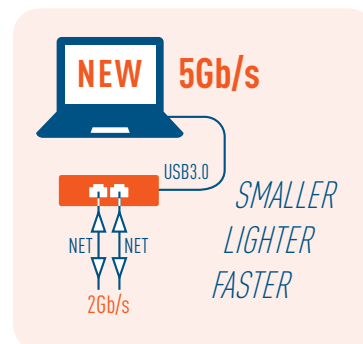
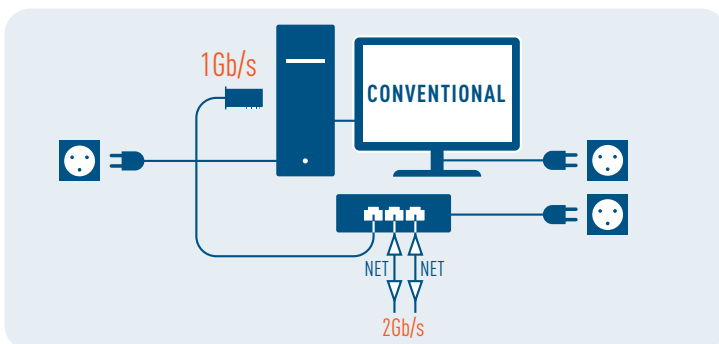


Connection



- GPS Timestamping**
 This feature allows real time analysis of aggregated and buffered traffic. It can tag packets with UTC-based, GPS-linked, nanosecond resolution timestamps (typical ± 16 ns precision). A PPS input is also possible for increased NTP-based timestamp precision.

- ProfiShark Manager**
 The ProfiShark 1G+ includes ProfiShark Manager, an application designed specifically for the ProfiShark 1G+. Used in combination with other analysis software, it allows statistical network analysis and diagnostic, and provides configuration options for traffic capture, timestamping, port diagnostic, and port control.



| | |
|-----------------------------|--|
| Connectors | 2 x RJ45 8 pins • 1 x SMA female (PPS) • 1 x SMA female (GPS) • 1 x USB 3.0 / USB 2.0 • 1 x 5 VDC optional input |
| LEDs | 2 x Link activity • 2 x Speed • 1 x Sync • 1 x Power |
| Max. Network Latency | Link @ 1 Gbps 370 ns • Link @ 100 Mbps 660 ns • Link @ 10 Mbps 6600 ns |
| System requirements | Dual Core Processor • 4 GB memory • USB 3.0 port |
| Supported OS | Windows 10 • Windows 8 32-bit & 64-bit • Windows 7 32-bit & 64-bit • Linux |
| Dimensions (WxDxH) | 105 x 124 x 26 mm • 4.13 x 4.88 x 1.02 in |
| Weight | 280 g • 0.62 lb |
| Accessories | GPS/GLONASS Antenna • 1.8 m USB 3.0 cable • RJ45 cable • Pouch • USB key |
| Compliance | RoHS |

Profitap HQ B.V.
 High Tech Campus 9
 5656 AE Eindhoven
 The Netherlands
+31 (0) 40 782 0880
www.profitap.com