

FUTEK MODEL TDF650
ITEM# FSH00658

REACTION TORQUE TRANSDUCER WITH SQUARE DRIVE
(Previously T5410)

Drawing Number: FI1147-B

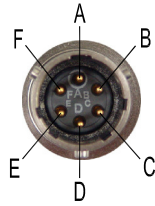
INCH [mm] R.O.= Rated Output

WIRING CODE (CC1/CC1T)

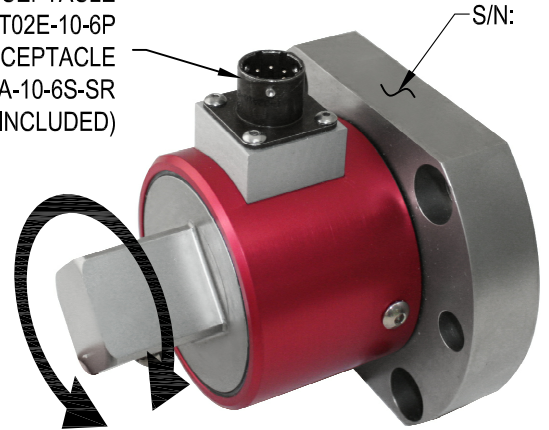
+Excitation	-Excitation	+Signal	-Signal
RED PIN 'A'	BLACK PIN 'B'	GREEN PIN 'C'	WHITE PIN 'D'

+Sense / TEDS Data*	-Sense / TEDS Gnd*
ORANGE PIN 'E'	BLUE PIN 'F'

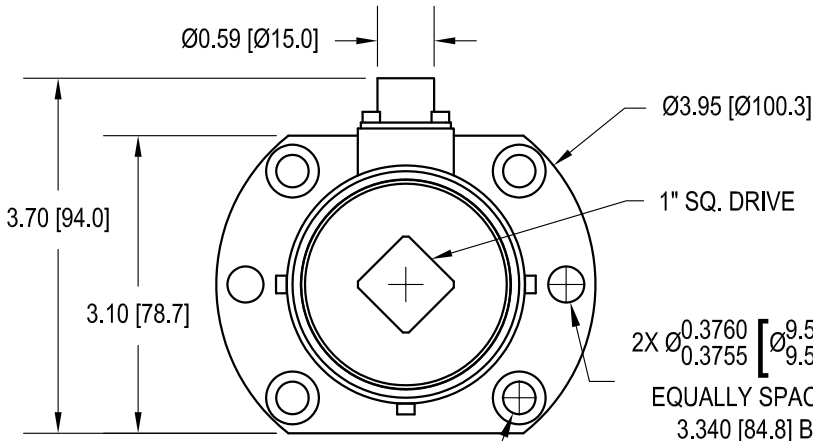
*TEDS VERSION ONLY



BENDIX RECEPTACLE
 PT02E-10-6P
 -MATING RECEPTACLE
 PT06A-10-6S-SR
 (NOT INCLUDED)

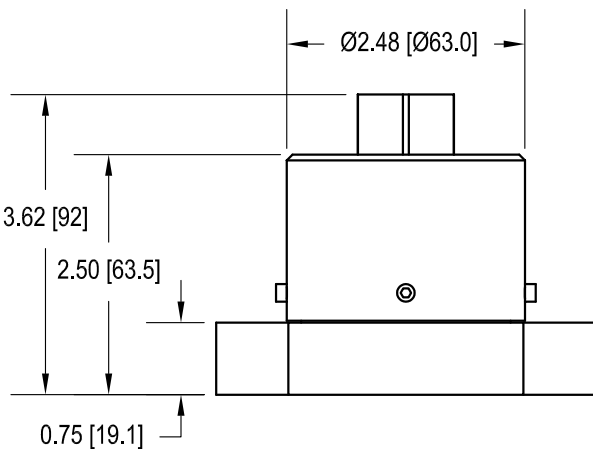


+OUTPUT (CW)
-OUTPUT (CCW)



2X Ø0.3760 [Ø9.55]
 0.3755 [Ø9.54] THRU
 EQUALLY SPACED ON
 3.340 [84.8] B.C.D.

4X Ø0.339 [Ø8.6] THRU
 C-BORE Ø0.55 [Ø14.0] X
 0.34 [8.6] DEEP EQUALLY
 SPACED ON 3.34 [84.8]
 B.C.D.



For Lower Capacities Refer to Models TDF400

SPECIFICATIONS:

RATED OUTPUT	2 mV/V nom.
CAPACITY	12000 in-lb [1400 Nm]
SAFE OVERLOAD	150% of R.O.
ZERO BALANCE	±1% of R.O.
EXCITATION (VDC OR VAC)	20 MAX
BRIDGE RESISTANCE	700 Ω nom.
NONLINEARITY	±0.1% of R.O.
HYSTERESIS	±0.1% of R.O.
NONREPEATABILITY	±0.2% of R.O.
TEMP. SHIFT ZERO	±0.002% of R.O./°F [0.0036% of R.O./°C]
TEMP. SHIFT SPAN	±0.002% of LOAD/°F [0.0036% of LOAD/°C]
COMPENSATED TEMP.	60 to 160°F [15 to 72°C]
OPERATING TEMP.	-60 to 200°F [-50 to 93°C]
WEIGHT	46 oz [1.3 Kg]
MATERIAL (FLEXURE)	17-4PH S.S.
MATERIAL (COVER)	RED ANODIZED ALUMINUM
TORSIONAL STIFFNESS	3.60 X 10 ⁶ in-lb/rad
CONNECTOR: 6 Pin BENDIX Receptacle (PT02E-10-6P)	
ACCESSORIES AND RELATED INSTRUMENTS AVAILABLE	
CALIBRATION (STD)	5pt. CW, 100KΩ SHUNT CAL. VALUE
CALIBRATION (AVAILABLE)	CCW
CALIBRATION TEST EXCITATION	10 VDC

**OTHER AVAILABLE RECEPTACLES &
 MATING CONNECTORS**

BENDIX RECEPTACLE (PCO4E-10-6P)
 BENDIX MATING CONNECTOR (PCO6E-10-6S-SR)

FUTEK
 ADVANCED SENSOR TECHNOLOGY, INC.

This drawing is submitted solely for the information and exclusive use of the original addressee. It is not to be divulged in whole or in part, by any firm or individual without written permission from FUTEK

10 THOMAS
 IRVINE, CA 92618 USA
 1-800-23-FUTEK (38835)

INTERNET:
<http://www.futek.com>