

▶▶▶ Industrial Ethernet Media Converter

The SL-2ES is an industrial Ethernet copper to fiber media converter that provides fast performance allowing for real-time operation. These ruggedized converters are industrial hardened to provide superior reliability. They require no user setup and immediately start operating as soon as you power them up.

PRODUCT HIGHLIGHTS

- Slim packaging fits on your DIN rail
- High performance and value
- Truly industrial hardened design
- Dual power inputs keeps you running
- Plug & play saves you time and money
- UL/CSA, CE, Hazardous Locations (Zone 2) and Maritime rated
- Ultra-reliable 1,000,000+ hours MTBF

ETHERNET COMPLIANCE

- IEEE 802.3 (10Mbps Ethernet supports legacy devices)
- IEEE 802.3u (Fast Ethernet 100Mbps for newer devices)
- IEEE 802.3x (Full-Duplex with Flow Control)

ETHERNET PERFORMANCE

- 2 Ethernet ports: 1 copper and 1 fiber
- Ethernet protocols supported: all IEEE 802.3
- RJ45 port (shielded): 10/100BaseTX
- RJ45 speed (10 or 100 Mbps): auto-negotiation
- RJ45 MDI/MDIX: auto-crossover and TD/RD auto-polarity
- Fiber optic port speed: 100BaseFX (100 Mbps)
- Fiber optic port wavelength typical: 1300 nm center typ.
- Fiber multimode (mm) typical: 50 or 62.5/125 um (SC or ST)
- Fiber singlemode (sm) typical: 9 or 10/125 um (SC or ST)
- Fiber max. distance: (full duplex) 4 km (mm), 20 (sm) or 40 km (long haul) or more
- Typ. latency for 100 Mbps ports: 5 us + frame time; varies on load
- Fiber duplex operation: Full
- MAC addresses supported: 1024
- Memory bandwidth: 3.2 Gbps
- Ethernet isolation: 1500 VRMS 1 minute



POWER INPUT

- Input power (typical): 2.0 W (all ports active)
- Redundant power inputs: 10-30 VDC
- Transient protection: 15,000 watts peak
- Spike Protection: 5,000 watts (10 times for 10 uS)

ENVIRONMENTAL

- Operating temperature range: -10 to +60 °C
- Storage temperature range: -40 to +85 °C
- Humidity (non-condensing): 5 to 95% RH
- Vibration: IEC60068-2-6

STANDARDS COMPLIANCE

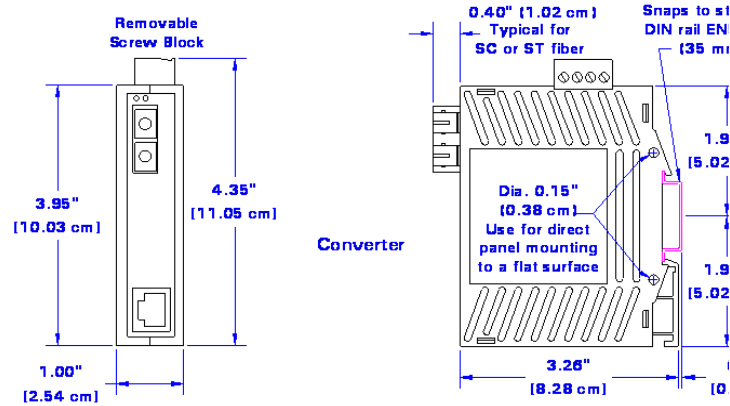
- Electrical safety: UL508/CSA C22.2/14, EN61010-1, CE
- EMI emissions: FCC part 15, ICES-003; EN61000-6-4, CE
- EMC immunity: EN61000-6-2, CE
- Hazardous locations: UL1604/CSA C22.2/213 (Class I, Div. 2); EN60079-15 (Zone 2, Category 3), CE (ATEX)
- Maritime: Rated for marine & offshore per ABS
- Eye safety (fiber models): IEC60825-1, Class 1; FDA 21 CFR 1040.10 and 1040.11

PHYSICAL

- DIN rail or direct panel mounting
- Case: UL94V0 Lexan with IP30 protection
- Dimensions: see mechanical drawing
- Weight (typical): 0.11Kg (4oz.)

All specifications are subject to change. Consult factory for latest info.

MECHANICAL DRAWING



ORDERING GUIDE

SL-2ES-2SC	1 RJ45 port & 1 multimode fiber optic port with SC or ST style connector, 4 Km
SL-2ES-2ST	1 RJ45 port & 1 multimode fiber optic port with SC or ST style connector, 4 Km
SL-2ES-3SC	1 RJ45 port & 1 singlemode fiber optic port with SC or ST style connector, 20 Km
SL-2ES-3ST	1 RJ45 port & 1 singlemode fiber optic port with SC or ST style connector, 20 Km
SL-2ES-3SCL	1 RJ45 port & 1 singlemode fiber optic port with SC or ST style connector, 60 Km
SL-2ES-3STL	1 RJ45 port & 1 singlemode fiber optic port with SC or ST style connector, 60 Km

ACCESSORIES

SP-ETH-2	Dual port 10/100 RJ45 lightning protector
ET-PS-024-02	AC to 24 VDC, 2A, power supply

Contact Sixnet for special or long haul fiber transceivers up to 120km



www.redlion.net

Connect. Monitor. Control.

Americas
sales@redlion.net

Asia-Pacific
asia@redlion.net

**Europe
Middle East
Africa**
europe@redlion.net

+1 (717) 767-6511

As the global experts in communication, monitoring and control for industrial automation and networking, Red Lion has been delivering innovative solutions for over forty years. Our award-winning technology enables companies worldwide to gain real-time data visibility that drives productivity. Product brands include Red Lion, N-Tron and Sixnet. With headquarters in York, Pennsylvania, the company has offices across the Americas, Asia-Pacific and Europe. For more information, please visit www.redlion.net. Red Lion is a Spectris company.