

**► Accessories for SCM5B Analog Modules**

**► Features**

- 1-, 2-, 8-, 16-Position Backpanels
- 19-Inch Mounting Rack For Backpanels
- Multiplexed and Non-Multiplexed Backpanels
- Interface Cables
- Module Evaluation Board
- Cable-to-Screw-Terminal Interface Board
- Power Supplies

**SCMPB01**

**16-Position Analog I/O Backpanel,  
Non-Multiplexed**



**Description**

The SCMPB01 16-channel backpanel (Figure 1) can accept any of the SCM5B analog modules in any mixture. It can be mounted on the SCMXRK-002 19-inch metal rack. The SCMPB01 has 16 non-addressable analog I/O signal channels which provides each module with it's own analog bus. The module output switch is continuously "on" when using this backpanel and all sixteen module outputs are simultaneously accessible to high-speed data acquisition (ADC) boards. A set of inter-channel bridge jumpers permits connecting an input module's output to an output module's input, providing two levels of isolation. A temperature sensor is mounted on each channel to provide cold junction compensation for thermocouple input modules (See Figure 2 for schematic). Field connections are terminated with four screw terminals at each module site. Use system interface cable SCM5CA004-XX for connection to the host system.

**Specifications**

Operating Temperature ATEX Group II, Category 3 Relative Humidity	-40°C to +85°C -20°C to +40°C 95% non-condensing
Interface Connector:  Field System	high density screw clamp, 14 AWG max 26-pin, male header connector

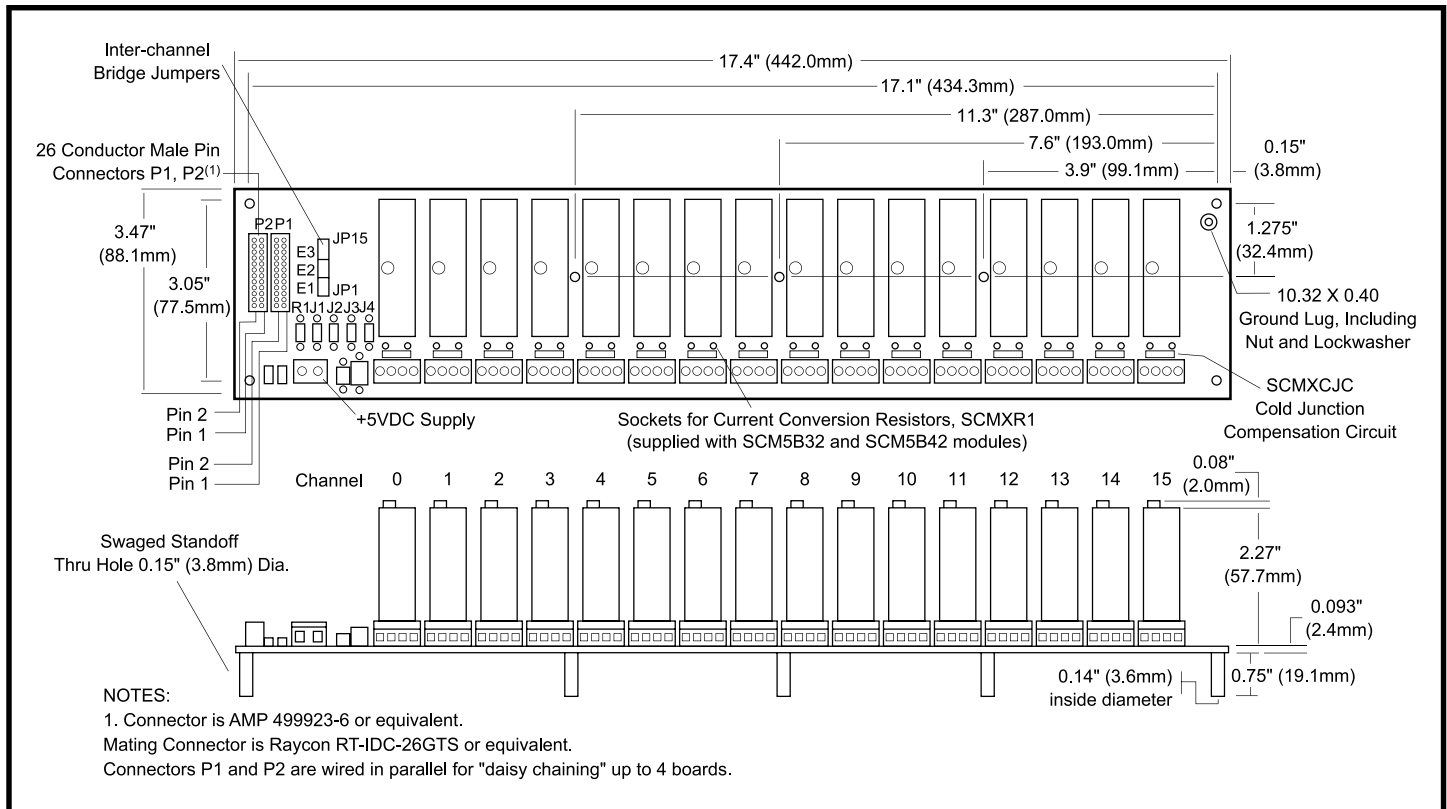
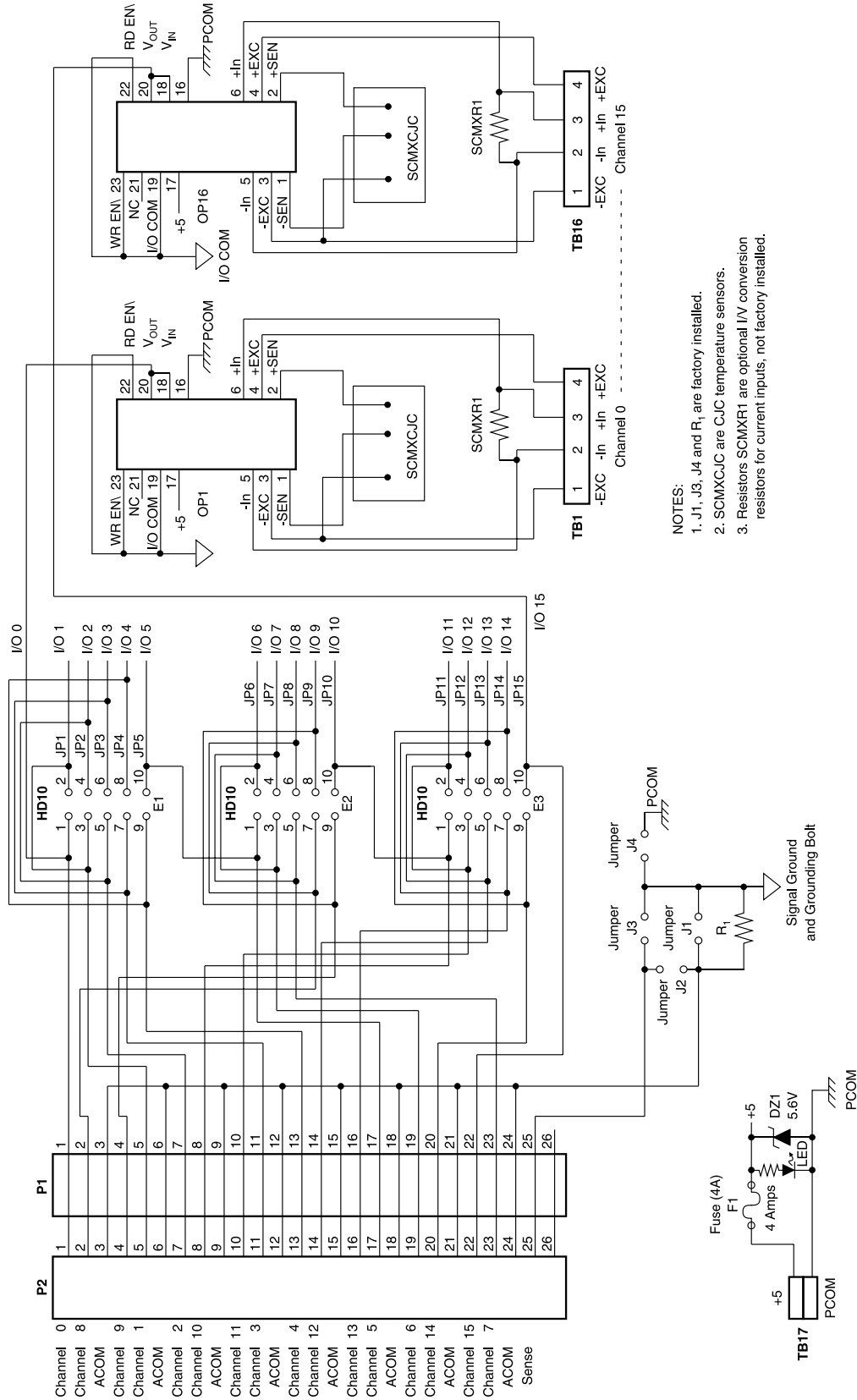


Figure 1: SCMPB01 Analog I/O Backpanel



- NOTES:
1. J1, J3, J4 and R<sub>1</sub> are factory installed.
  2. SCMXCJC are CJC temperature sensors.
  3. Resistors SCMXR1 are optional I/V conversion resistors for current inputs, not factory installed.

Figure 2: SCMPB01 Schematic

**Electrical**

**P1 and P2 Connector**

Connection to the host system is made at connectors P1 and P2. These connectors are electrically equivalent. Two connectors are provided to allow both analog input and analog output from host systems having individual input and output connectors.

**Adjacent Channel Jumpers**

Adjacent channels may be connected together to provide an isolated output signal from an isolated input module, providing two levels of 1500V isolation. This capability is provided with the 15 jumpers labeled JP1 through JP15 on headers E1, E2, and E3. A simplified drawing of the SCMPB01 schematic for Channel 1 through 4 is shown in Figure 3.

Example: Assume an SCM5B30 input module is installed in Channel 1 position and an SCM5B39 output module is installed in Channel 2 position. If JP1 is installed, the output of Channel 0 is connected to the input of Channel 1, which provides two levels of 1500V isolation.

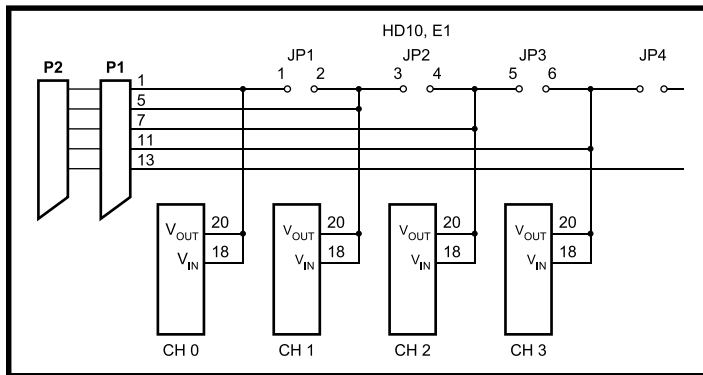


Figure 3: SCMPB01 Adjacent Channel Jumpers

**Power**

The SCMPB01 backpanel requires external +5VDC ±5% power. The chassis mounted SCMXPRE-003 or SCMXPRT-003 power supplies have adequate capacity to power any combination of modules.

**Fusing**

The SCMPB01 backpanel power is fuse protected through F1. This is a Littelfuse type 252007, 7 amp fuse. Zener diode DZ1 provides extra protection by clamping the input power voltage to +5.6V. If the input supply voltage connection is reversed, this zener diode will be forward biased and fuse F1 will be blown.

**Grounding**

Figure 4 details the optional ground jumper configuration available on the SCMPB01 backpanel. Jumpers J1, J3, and J4 are factory installed.

Jumper J1 connects the AGND shield wires (pins 3, 6, 9, 12, 15, 18, 21, and 24) to the backpanel signal ground. This provides a ground connection between the host system and backpanel. Jumper J1 is required if output modules (SCM5B39, SCM5B49) are used, or if there is no high impedance sense input (input low of a differential or pseudo-differential system) on the host measurement system.

Jumper J3 connects the SENSE line (pin 25) to the backpanel signal ground.

**Ordering Information**

Part Number	Description
SCMPB01	Standard 16-channel backpanel.
SCMPB01-1	SCMPB01 without cold junction compensation circuits. Use when cost savings is desired and thermocouple input modules SCM5B37 and SCM5B47 will not be used.
SCMPB01-2	SCMPB01 with DIN rail mounting option. The backpanel is mounted on a piece of anodized aluminum, which is captured by the SCMXBEFE DIN rail mounting elements. The backpanel is shipped fully assembled.
SCMPB01-3	SCMPB01-1 with DIN rail mounting option. See SCMPB01 and SCMPB01-2 for details.

If the host system has the capability, this allows measuring the SCMPB01 ground potential.

For proper operation of the output switch or track-and-hold circuit when using the SCMPB01/05 backpanels, a current path must exist between the host control logic power common and module I/O Common (module pin 19). This path can be established on the SCMPB01 via jumper J4. If this connection exists elsewhere in the system, jumper J4 should be removed since possible ground loops could exist. Other connections of power ground and signal ground usually occur at the A/D or D/A converter of the host measurement system. More information on grounding can be found in Application Note AN502.

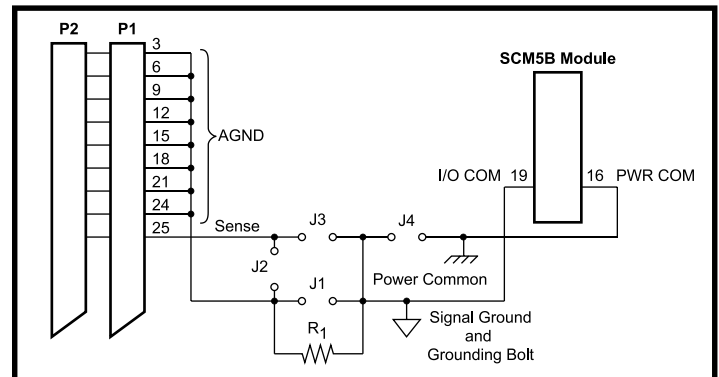


Figure 4: SCMPB01 Grounding Diagram

If the connection of power common and AGND shield wires exist in the host measurement system, an optional resistive connection between AGND and the backpanel signal ground can be made via R<sub>1</sub>. R<sub>1</sub> can be as large as 10K ohms; 100 ohms is a recommended value. Jumper J2 can be used to connect the SENSE line to R<sub>1</sub> when this ground configuration is used.

For full protection against large electrical disturbances on the field-side of the SCM5B modules, a #10-32 ground stud is provided on the backpanel. An electrical connection between this ground stud and system ground should be provided with a large gauge wire of the shortest possible length. When this connection is made, a possible ground loop could result through the AGND shield wires and backpanel signal ground. If the application involves only input modules and a differential input is used by the host measurement system, J1 should be removed. Remember that J1 is required if output modules are used or if the host system does not have differential inputs.