

FUTEK MODEL LCF455

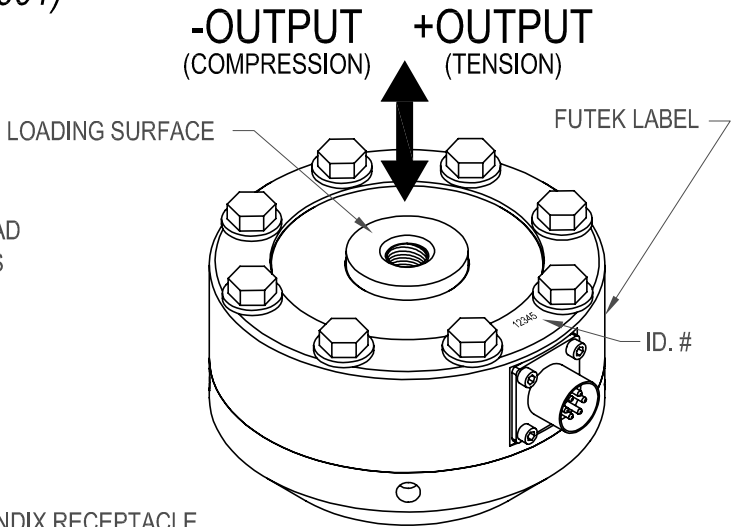
LOW PROFILE UNIVERSAL PANCAKE LOAD CELL (Previously L2901)

Drawing Number: FI1042-A

INCH [mm] | R.O.= Rated Output

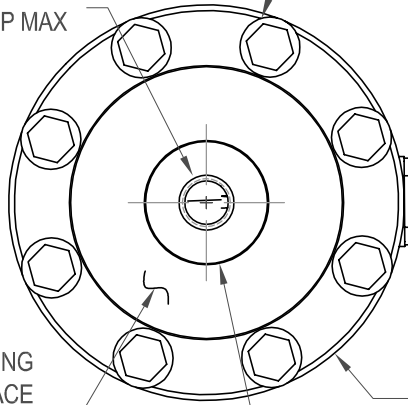
WIRING CODE (CC1)

| | | | |
|-------------------|------------------|------------------|------------------|
| +Excitation | -Excitation | +Signal | -Signal |
| RED PIN 'A' | BLACK PIN 'B' | GREEN PIN 'C' | WHITE PIN 'D' |
| +Sense | -Sense | | |
| ORANGE PIN 'E' | BLUE PIN 'F' | | |



THREAD BOTH ENDS
X 1.00 [25.4] DEEP MAX

8 X Ø1/4-28 HEX HEAD
BOLT AND WASHERS
EQUALLY SPACED

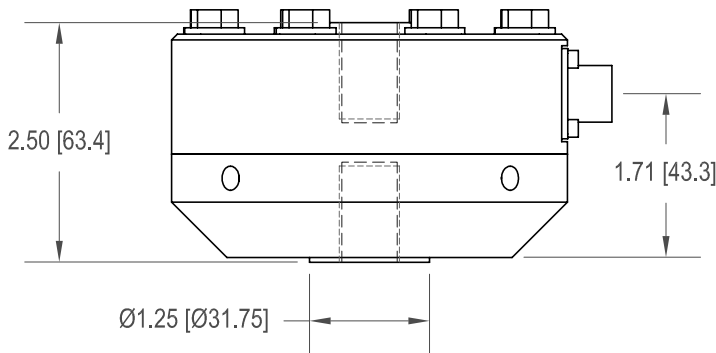


BENDIX RECEPTACLE
PT02A-10-6P
MATING CONNECTOR
PT06A-10-6S-SR
(NOT INCLUDED)

Ø4.13 [Ø104.8]

Ø1.30 [Ø32.9]

REFER TO LCF450 FOR VERSION
WITHOUT BASE PLATE



SPECIFICATIONS:

| | | |
|---|--|---|
| RATED OUTPUT | 2 mV/V nom. | |
| SAFE OVERLOAD | 150% of R.O. | |
| ZERO BALANCE | ±1% of R.O. | |
| EXCITATION (VDC OR VAC) | 20 MAX | |
| BRIDGE RESISTANCE | 700 Ω nom. | |
| NONLINEARITY | ±0.1% of R.O. | } HIGHER SPECIFICATIONS OF 0.05% AVAILABLE CONTACT FACTORY |
| HYSTERESIS | ±0.2% of R.O. | |
| NONREPEATABILITY | ±0.02% of R.O. | |
| CREEP | ±0.02% of LOAD | |
| TEMP. SHIFT ZERO | ±0.001% of R.O./°F [0.0018% of R.O./°C] | |
| TEMP. SHIFT SPAN | ±0.002% of LOAD/°F [0.0036% of LOAD/°C] | |
| COMPENSATED TEMP. | 60 to 160°F [15 to 72°C] | |
| OPERATING TEMP. | -60 to 200°F [-50 to 93°C] | |
| DEFLECTION | 0.002 to 0.005 [0.05 to 0.13] nom. | |
| CONNECTOR: | 6 Pin BENDIX Receptacle (PT02A-10-6P) | |
| ACCESSORIES AND RELATED INSTRUMENTS AVAILABLE | | |
| CALIBRATION (STD) | 5 pt. COMPRESSION; 100K Ω SHUNT CAL. VALUE | |
| CALIBRATION (AVAILABLE) | 5pt. TENSION | |
| CALIBRATION TEST EXCITATION | 10 VDC | |

| Stock # | CAPACITY | | THREAD | WEIGHT Material |
|----------|----------|-------|---------|--------------------------------------|
| | lb | N | | |
| FSH01966 | 300 | 1334 | 5/8-18 | 6.9lb[3.2kg] 17-4PH S.S. |
| FSH02227 | | | M16 X 2 | |
| FSH00203 | 500 | 2224 | 5/8-18 | 2.5lb[1.1kg] Anodized Aluminum |
| FSH02106 | | | M16 X 2 | |
| FSH00204 | 1000 | 4448 | 5/8-18 | |
| FSH02107 | | | M16 X 2 | |
| FSH00205 | 2000 | 8896 | 5/8-18 | |
| FSH01708 | | | M16 X 2 | |
| FSH00194 | 5000 | 22240 | 5/8-18 | 6.9lb[3.2kg] 17-4PH S.S. |
| FSH02110 | | | M16 X 2 | |
| FSH02046 | 10000 | 44480 | 5/8-18 | |
| FSH02221 | | | M16 X 2 | |

FUTEK
ADVANCED SENSOR TECHNOLOGY, INC.

This drawing is submitted solely for the information and exclusive use of the original addressee. It is not to be divulged in whole or in part, by any firm or individual without written permission from FUTEK

10 THOMAS
IRVINE, CA 92618 USA
1-800-23-FUTEK (38835)

INTERNET:
<http://www.futek.com>