

FUTEK MODEL LCF451 (L2903) FATIGUE RATED LOW PROFILE UNIVERSAL PANCAKE LOAD CELL

Drawing Number: FI1177

INCH [mm] R.O.= Rated Output

WIRING CODE (CC1)

+Excitation	-Excitation	+Signal	-Signal
RED PIN 'A'	BLACK PIN 'B'	GREEN PIN 'C'	WHITE PIN 'D'
+Sense	-Sense		
ORANGE PIN 'E'	BLUE PIN 'F'		

8x Ø0.28 [Ø7.1] THRU EQUALLY SPACED ON 3.50 [88.9] B.C.D.

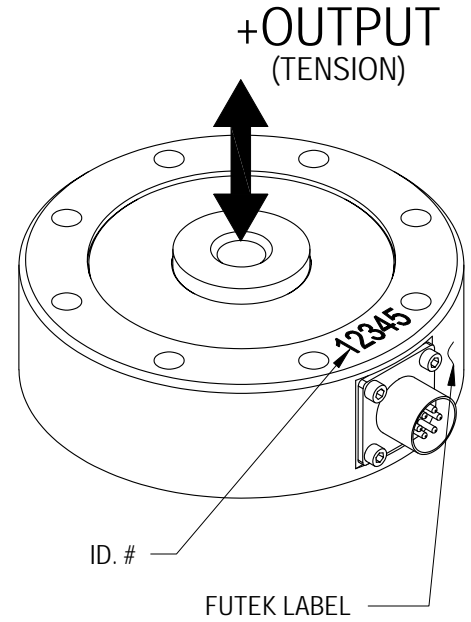
Ø4.12 [Ø104.6]

BENDIX RECEPTACLE
PT02A-10-6P
MATING CONNECTOR
PT06A-10-6S-SR
(NOT INCLUDED)

THREAD THRU

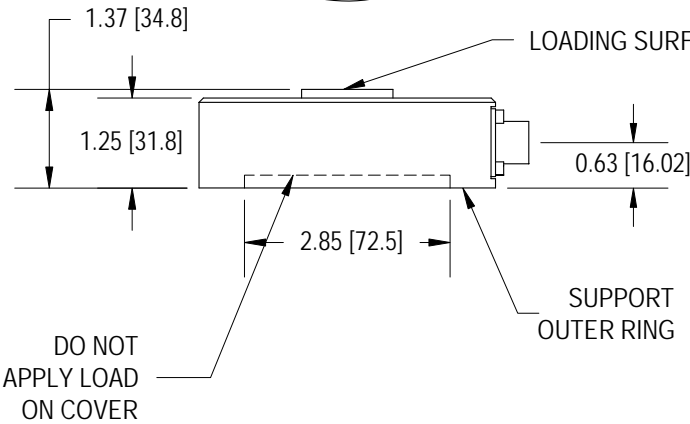
Ø1.27 [Ø32.3]

NON
LOADING
SURFACE
DO NOT
CONTACT



LOADING SURFACE

REFER TO LCF456 FOR TENSION BASE VERSION



SPECIFICATIONS:

RATED OUTPUT	1 mV/V nom.
SAFE OVERLOAD	150% of R.O.
ZERO BALANCE	±1% of R.O.
EXCITATION (VDC OR VAC)	20 MAX
BRIDGE RESISTANCE	700 Ω nom.
NONLINEARITY	±0.1% of R.O. } HIGHER SPECIFICATIONS OF 0.05% AVAILABLE
HYSTERESIS	±0.2% of R.O. } CONTACT FACTORY
NONREPEATABILITY	±0.02% of R.O.
CREEP	±0.02% of LOAD
TEMP. SHIFT ZERO	±0.001% of R.O./°F [0.0018% of R.O./°C]
TEMP. SHIFT SPAN	±0.002% of LOAD/°F [0.0036% of LOAD/°C]
COMPENSATED TEMP.	60 to 160°F [15 to 72°C]
OPERATING TEMP.	-60 to 200°F [-50 to 93°C]
WEIGHT	ANODIZED ALUMINUM: 1.3lb [0.6kg], 17-4PH S.S.: 3.5lb [1.6kg]
DEFLECTION	0.002 to 0.005 [0.05 to 0.13] nom.
CONNECTOR:	6 Pin BENDIX Receptacle (PT02A-10-6P)
ACCESSORIES AND RELATED INSTRUMENTS AVAILABLE	
CALIBRATION (STD)	5 pt. COMPRESSION; 200K Ω SHUNT CAL. VALUE
CALIBRATION TEST EXCITATION	10 VDC

Stock #	CAPACITY		THREAD	MATERIAL
	lb	N		
FSH01488	250	1112	5/8-18	ANODIZED ALUMINUM
FSH02240			M16 X 2	
FSH01489	500	2224	5/8-18	
FSH02241			M16 X 2	
FSH01490	1K	4448	5/8-18	17-4PH S.S.
FSH02242			M16 X 2	
FSH01492	2.5K	11120	5/8-18	
FSH02243			M16 X 2	
FSH01493	5K	22240	5/8-18	
FSH02244			M16 X 2	

OTHER AVAILABLE RECEPTACLES & MATING CONNECTORS

BENDIX RECEPTACLE (PCO4E-10-6P)
BENDIX MATING CONNECTOR (PCO6E-10-6S-SR)
BENDIX RECEPTACLE (PTO2H-10-6P)
BENDIX MATING CONNECTOR (PTO6A-10-6S-SR)

FUTEK
ADVANCED SENSOR TECHNOLOGY, INC.

This drawing is submitted solely for the information and exclusive use of the original addressee. It is not to be divulged in whole or in part, by any firm or individual without written permission from FUTEK

10 THOMAS
IRVINE, CA 92618 USA
1-800-23-FUTEK (38835)

INTERNET:
<http://www.futek.com>