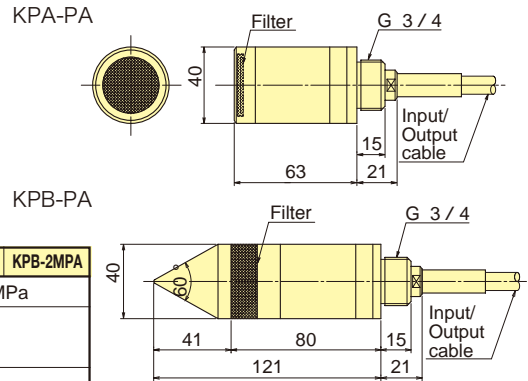


KPA-PA/KPB-PA Pore Pressure Gauges



The KPA-PA and KPB-PA pore pressure gauges are used to measure pore water pressure in ground, sheet piles, piles, boreholes, etc. The KPA-PA is attached to a pile, a diaphragm wall, a sheet pile and so forth and buried in ground to measure pore water pressure. The KPB-PA is buried in a borehole to measure pore water pressure in bedrock. The feature of these gauges is the dual structure that makes them highly resistant to lateral pressure. Therefore, high-accuracy measurement can be made even if soil pressure changes markedly. Protection ratings : IP 68 equivalent



Specifications

Type	KPA-200KPA	KPB-200KPA	KPA-500KPA	KPB-500KPA	KPA-1MPa	KPB-1MPa	KPA-2MPa	KPB-2MPa
Capacity	200kPa		500kPa		1MPa			
Rated output	Approx. 0.8mV/V (1600×10 ⁻⁶ strain)		Approx. 1mV/V (2000×10 ⁻⁶ strain)					
Non-linearity	1%RO							
Filter mesh (*)	40μm							
Temperature range	0 ~ +60°C(no icing)							
Input/output resistance	350Ω							
Recommended exciting voltage	Less than 3V							
Allowable exciting voltage	10V							
Weight	KPA-200KPA~KPA-2MPa				470g			
	KPB-200KPA~KPB-2MPa				650g			

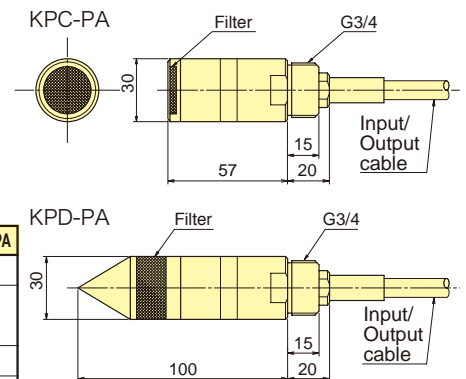
Input/output cable : 9mm 0.5mm² 4-core shielded chloroprene cable 2m

* Filter mesh with 70 μm is available on request

KPC-PA/KPD-PA Pore Pressure Gauges



These pressure gauges, which are one size smaller than the KPA-PA and KPB-PA, are used to measure pore water pressure in soil, sheet piles, piles and boreholes. The KPC-PA is attached to a pile, a diaphragm wall, a sheet pile, etc., and buried in ground to measure pore water pressure. It is also buried singly in ground to measure pore water pressure. The KPD-PA is put in a borehole to measure the pore water pressure in bedrock. The feature of these gauges is the dual structure that makes them highly resistant to lateral pressure. Therefore, high-accuracy measurement can be made even if soil pressure changes markedly. Protection ratings : IP 68 equivalent



Specifications

Type	KPC-200KPA	KPD-200KPA	KPC-500KPA	KPD-500KPA	KPC-1MPa	KPD-1MPa	KPC-2MPa	KPD-2MPa
Capacity	200kPa		500kPa		1MPa			
Rated output	Approx. 0.8mV/V (1600×10 ⁻⁶ strain)		Approx. 1mV/V (2000×10 ⁻⁶ strain)					
Non-linearity	1.5%RO		1%RO					
Filter mesh (*)	40μm							
Temperature range	0 ~ + 60°C (no icing)							
Input/output resistance	350Ω							
Recommended exciting voltage	Less than 3V							
Allowable exciting voltage	10V							
Weight	KPC-200KPA~KPC-2MPa				250g			
	KPD-200KPA~KPD-2MPa				350g			

Input/output cable : 9mm 0.5mm² 4-core shielded chloroprene cable 2m

* Filter mesh with 70 μm is available on request