

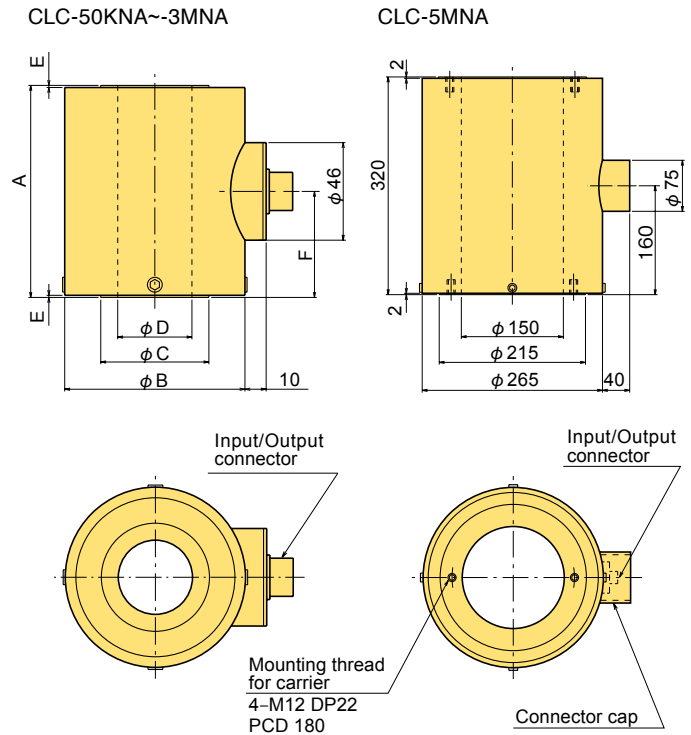
CLC-NA Center-hole type Compression Load Cell 50kN~5MN



The CLC-NA is a center-hole-type load cell with a strain gauge mounted on a cylindrical strain sensing element. It is used to conduct pullout tests on anchors or laboratory experiments.

Protection ratings: IP65 equivalent

High precision



■ Dimensions

TYPE	A	φB	φC	φD	E	F
CLC-50KNA	60	50	21	15	1	30
CLC-100KNA	70	60	29	20	1	35
CLC-200KNA	90	70	42	30	1	45
CLC-300KNA	100	85	51	35	1	50
CLC-500KNA	100	100	62	40	1	50
CLC-1MNA	150	130	90	60	2	75
CLC-2MNA	200	170	132	90	2	100
CLC-3MNA	250	205	164	115	2	125
CLC-5MNA	As per the figure					

■ SPECIFICATIONS

TYPE	CLC-50KNA	CLC-100KNA	CLC-200KNA	CLC-300KNA	CLC-500KNA	CLC-1MNA	CLC-2MNA	CLC-3MNA	CLC-5MNA
Capacity	50kN	100kN	200kN	300kN	500kN	1MN	2MN	3MN	5MN
Rated Output	1.5mV/V (3000×10 ⁻⁶ strain) ±0.5%								
Non-linearity	0.3%RO				0.5%RO				
Hysteresis	0.3%RO				0.5%RO				
Temperature effect on zero	0.01%RO/°C								
Temperature effect on span	0.005%/°C								
Compensated temperature range	-10 ~ +60°C								
Allowable temperature range	-20 ~ +70°C								
Over load	150%								
Input/Output resistance	350Ω±1%								
Recommended exciting voltage	Less than 10V								
Allowable exciting voltage	20V								
Zero balance	5%RO								
Weight	1kg	2kg	2kg	3kg	4kg	8kg	19kg	34kg	67kg

Supplied cable : CT9-4N10/WP-STB (φ9mm 0.5mm² 4-core shielded chloroprene cable 10m)