

# SCMPB03/SCMPB04

## One/Two Position Analog I/O Backpanels



### Description

The SCMPB03 is a single channel mounting panel for the SCM5B modules. The SCMPB04 is a dual channel mounting panel for the SCM5B modules.

They are both DIN rail compatible.

See Figures 9, and 10 for wiring diagrams, Figure 11 for schematics.

The following accessories are required for mounting one SCMPB03/04 panel (Figure 8):

Qty	Model	Description
1	SCMXBEFE	Base element with snap foot
2	SCMXSE	Side element

The following accessories are required for mounting two or more SCMPB03/04 panels:

Qty	Model	Description
2	SCMXBEFE	Base element with snap foot
2	SCMXSE	Side element
(# panels)-2	SCMXBE	Base element without snap foot
(4 x (# panels))-4	SCMXVS	Connection pins

The following DIN rail styles are available. Specify length in meters (-XX)

SCMXRAIL1-XX	EN 50022-35x7.5 (slotted steel)
SCMXRAIL2-XX	EN 50035-G32 (slotted steel)
SCMXRAIL3-XX	EN 50022-35x15 (slotted steel)

### Specifications

Operating Temperature	-40°C to +85°C
ATEX Group II, Category 3	-20°C to +40°C
Relative Humidity	95% non-condensing
Interface Connector:	
Field System	high density screw clamp, 14 AWG max
	high density screw clamp, 14 AWG max

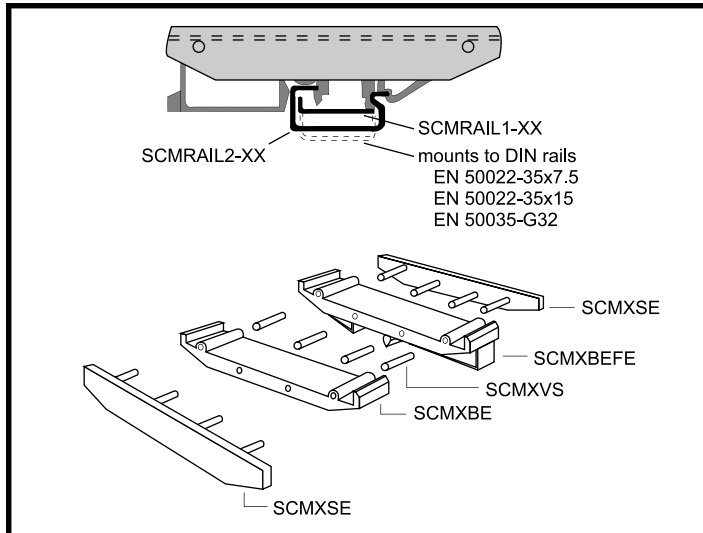


Figure 8: DIN Rail Mounting Elements

### Ordering Information

Part Number	Description
SCMPB03	Standard single channel backpanel. No mounting hardware included.
SCMPB03-2	One SCMPB03 with DIN rail mounting hardware. Shipped fully assembled. Accepts one SCM5Bxx-xx module.
SCMPB04	Standard dual channel backpanel. No mounting hardware included.
SCMPB04-1	SCMPB04 without cold junction compensation circuits. Use when cost savings is desired and thermocouple input modules SCM5B37 and SCMPB47 will not be used.
SCMPB04-2	One SCMPB04 with DIN rail mounting hardware. Shipped fully assembled. Accepts 2 SCM5Bxx-xx modules.
SCMPB04-3	SCMPB04-1 with DIN rail mounting option. See SCMPB04 and SCMPB04-2 for details.

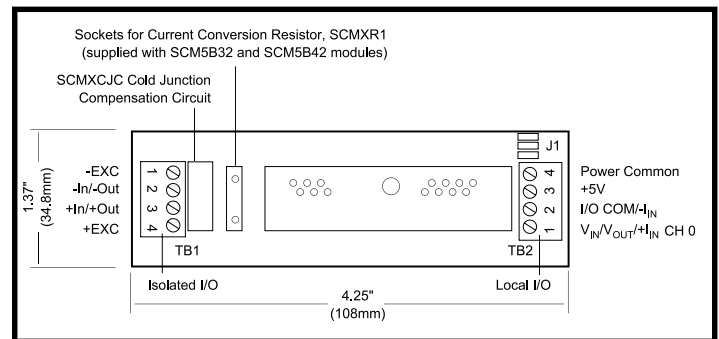


Figure 9: SCMPB03 Analog I/O Backpanel

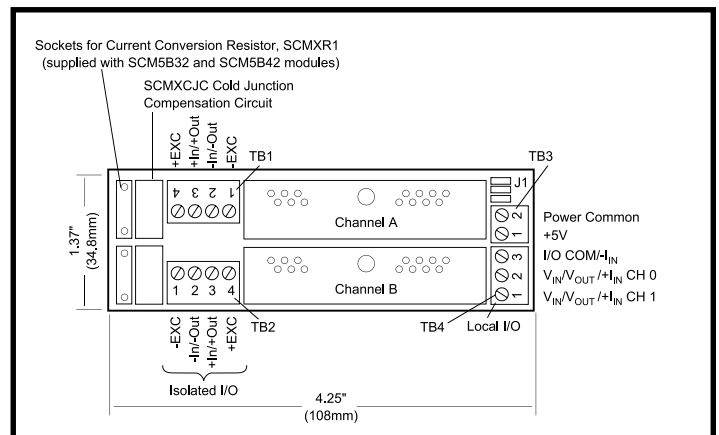


Figure 10: SCMPB04 Analog I/O Backpanel

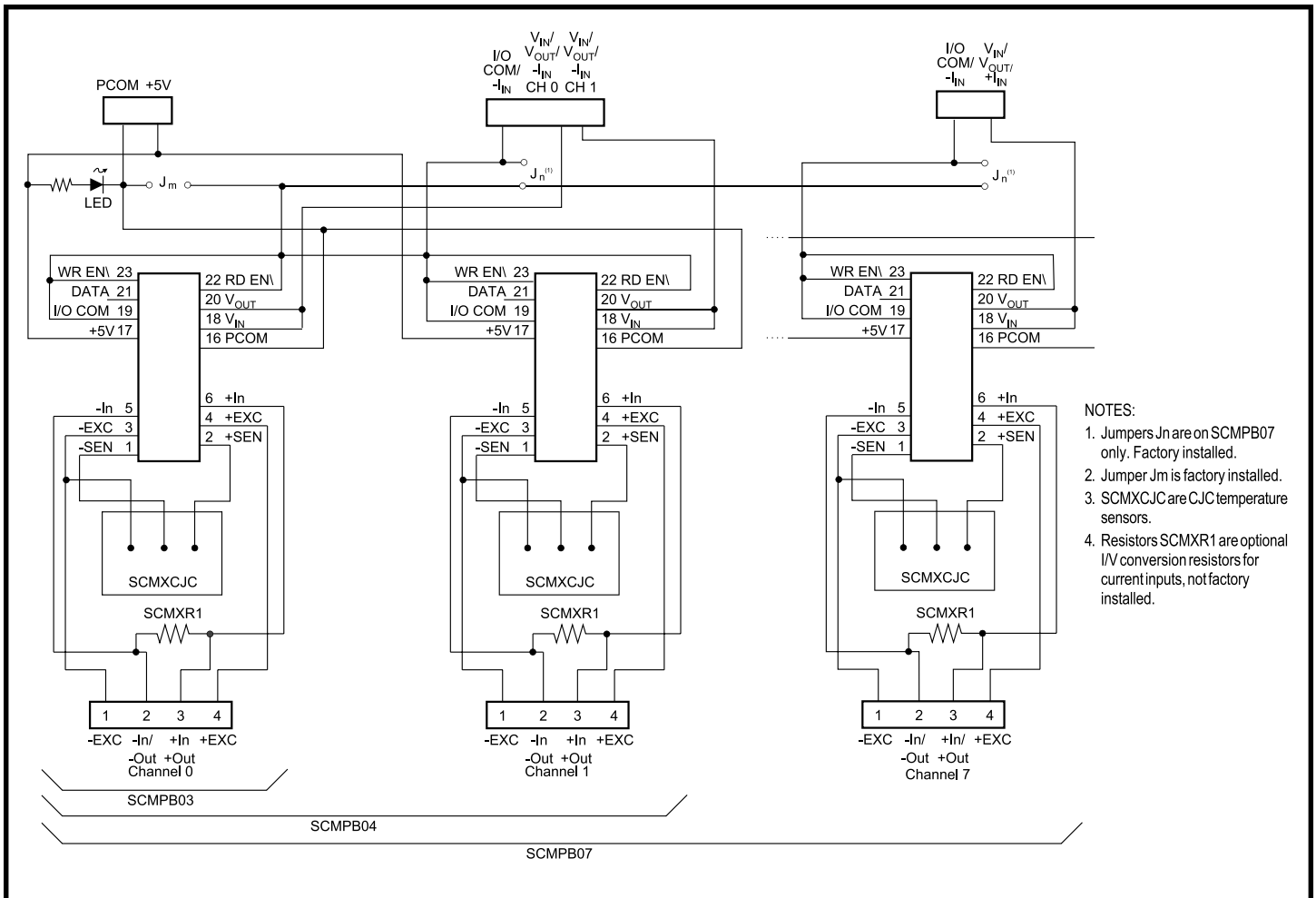


Figure 11: SCMPB03/SCMPB04/SCMPB07 Schematic