



## Features

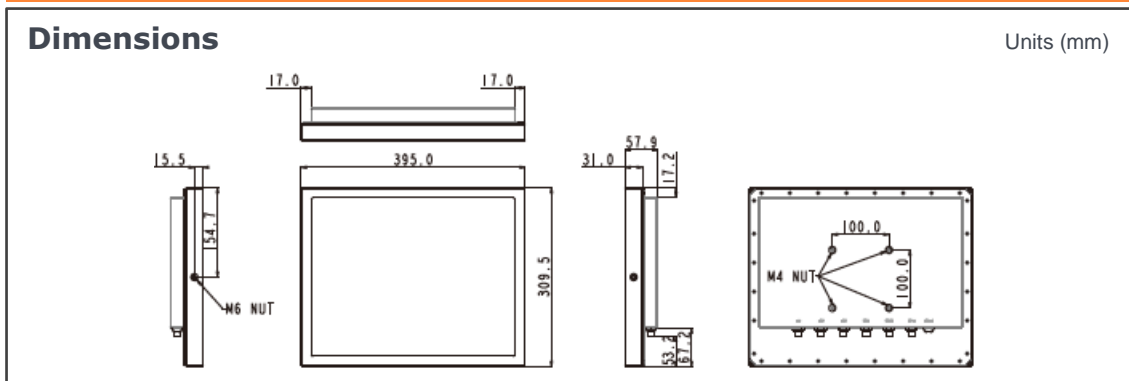
- Intel® 12th Gen Alder Lake-P MCP Processors, 15 W
- IP66/69K Full Sealed with Anti-Corrosion Enclosure
- Support Intel® vPro Technology by CPU
- IP67 M12 Stainless/Metal Connectors
- Optional Cable Gland for External I.O.
- 100% Waterproof Guarantee
- CE, FCC, VCCI Class B Certified

## Specification

Model		WTP-9H66-15	
Main System	CPU / Graphic	Intel® 12th Gen Alder Lake-P MCP Processors, 15 W / Intel® Gen 12 Graphics	
	Memory	Dual Channel DDR4 3200 MHz ,2 x 260 SO-DIMM, up to 64GB	
	TPM	TPM2.0	
	OS Support	Optional Windows 10 (64 bit) / Windows 11 (64 bit)	
Display	Size / Resolution	15" 4:3 / 1024 x 768 (XGA)	
	Number of Colors	16.2M colors	
	View Angle (H/V)	160(H) / 150(V)	
	Brightness (nit)	350 nits	
	Contrast Ratio	800 : 1 (Typ)	
Touch Panel	Type	Full flat resistive touch	Full flat P-Cap touch
	Light Transmission	80 ± 5%	≥ 86%
	Hardness / Lifetime	≥ 3H / 35M times	≥ 7H / 100M times
	Touch Mode	Normal mode	Normal / Glove / Water mode
Storage & Expansion	Storage	1 x 2.5" SATA HDD drive bay (with anti-vibration mechanism) 1 x M.2 (Key M, 2242/2260/2280) with PCIe4 (Gen4) for SSD	
	Expansion	1 x M.2 (Key B, 3042/3052) with PCIe1, USB3.2, USB2.0 and SIM for 4G/5G 1 x SIM socket connected to M.2 key B 1 x M.2 (Key E, 2230) with PCIe, USB2.0 and CNVi for Wireless	
I/O Ports	Configuration	<b>STD. (M12 Connector)</b>	<b>Cable Gland (Max. 5 external I/O by proper grommet)</b>
	USB	1 x M12 8pin for USB 2.0 1/2 1 x M12 8pin for USB 2.0 3/4 1 x USB 3.2 Gen2 (Type-C, Support DP1.4a display output, Power output 5V/3A)	2 x USB 2.0, 2 x USB 3.2 Gen2, 2 x USB 3.2 Gen2 (Type-C, Support DP1.4a display output, Power output 5V/3A)
	COM	2 x M12 8pin for COM 1 & COM2 / RS-232/422/485	2 x RS232/RS422/RS485
	LAN	1 x M12 8pin for LAN 1	2 x RJ-45 (2.5Gigabit Ethernet)
	Audio	N.A.	2 x 3.5mm phone jack connector (Line-out, and Mic-in)
	Video	N.A.	2 x HDMI 2.0b, 2 x Type-C (Support DP1.4a display output, Power output 5V/3A)
	DC in	1 x DC-In connector, DC 12~28V	
	Control Keys	Rear bottom: Power on /off; Side: Brightness Up / Down	
Power	Power adapter	AC 100 ~ 277V / 47 ~ 63 Hz / DC output 24V, 5A, 120W, IP68	
	Power consumption	TBD W	
Environmental	Temperature	Operating Temperature 24V DC Input 0~40°C (IEC60068-2-56, air flow cooling, HDD) 24V DC Input 0~50°C (IEC60068-2-56, air flow cooling, SSD) Storage Temperature -20~60°C	
	Humidity	Operating & Storage: 10 ~ 90%, non-condensing	
	Water/Dust	IP66 / NEMA4X / IP69K	
Mechanical Characteristics	Housing	SUS304 stainless steel enclosure, chassis type	
	Dimensions (Net:	395 x 309.5 x 58	
	Weights (Net: kg)	8.4 kg	
	Mounting	VESA 100*100, side mount (M6*2)	
Certification	CE (EMC) / FCC-B / VCCI Class B, Canada ICES-003		

# WTP-9H66-15

# Stainless Steel Panel PC



## Major Options

Options	<ol style="list-style-type: none"> <li>1. Full flat PCT touch screen IP69K</li> <li>2. IP67 (STD M12 type)</li> <li>3. 2.5" SSD</li> <li>4. M.2 SSD (128G)</li> <li>5. Wireless or Wireless and BT kit (easy clean and Robust Antenna)</li> <li>6. 2 External LAN (USBx2, LANx2, COMx1)</li> <li>7. Cable Gland External IO</li> <li>8. SUS316 Enclosure</li> <li>9. M12 (female) to M12 (male) DC power extension cable (2 meters length)</li> <li>10. M12 (female) to stripped and tinned wires DC extension cable (1.2 meters length)</li> <li>11. Barcode Reader (can't coexist with RFID)</li> <li>12. RFID (can't coexist with Barcode reader)</li> <li>13. Supports floor stand solution</li> <li>14. 3W speaker (IP66)</li> <li>15. Waterproof type C cable, cable length is 1 meter</li> <li>16. Wall mount</li> <li>17. Table mount bracket (For Type C / RFID)</li> </ol>
Accessory	<ol style="list-style-type: none"> <li>1. Waterproof USB cable, cable length is 2 meters</li> <li>2. Waterproof LAN cable, cable length is 2 meters</li> <li>3. Waterproof COM cable, cable length is 2 meters</li> <li>4. DC input cable</li> </ol>
Customization	<ol style="list-style-type: none"> <li>1. Sunlight readable optical bonding</li> <li>2. Roof for UV protection and sunlight readable</li> <li>3. 1000 nit high brightness LCD</li> <li>4. COM + Power 5V or 12V</li> <li>5. 2nd HDD for RAID 0,1</li> <li>6. Intel i3-1215UE, DC, 3.3GHz</li> <li>7. Intel i7-1265UE, DC, 3.5GHz</li> <li>8. WDT AP/API</li> <li>9. Stainless M12 connector</li> </ol>

## Order Information

Item	Cooling	Description
WTP-9H66-15 (i5)	Fanless	15" Core i5-1245UE 3.3 GHz / 4G RAM / 512G SSD / Full Flat R-touch
WTP-9H66-15 (i5)	Fanless	15" Core i5-1245UE 3.3 GHz / 4G RAM / 512G SSD/ Full Flat P-cap touch

## I/O ports



- 1 Giga LAN
- 2 USB 1/2
- 3 USB 3/4
- 4 COM x 2
- 5 DC-in
- 6 Power on/off
- 7 USB Type C

