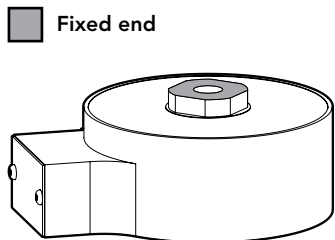
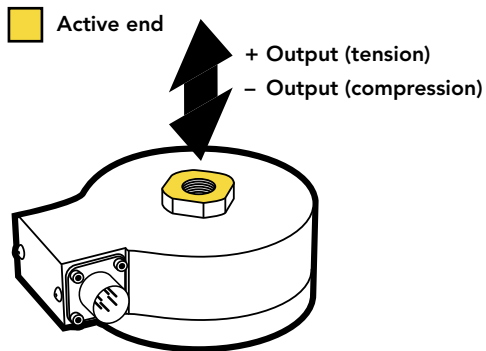




FEATURES

- Highly resistant to off-axis loading
- One-piece construction
- Utilizes metal foil strain gauge technology
- 17-4 PH stainless-steel construction
- For use in both tension and compression



SPECIFICATIONS

PERFORMANCE

| | |
|------------------|--------------|
| Nonlinearity | ±0.1% of RO |
| Hysteresis | ±0.1% of RO |
| Nonrepeatability | ±0.05% of RO |

ELECTRICAL

| | |
|-------------------------|---------------------------------------|
| Rated Output (RO) | 3 mV/V nom 1.5 mV/V nom (250 lb) |
| Excitation (VDC or VAC) | 18 max |
| Bridge Resistance | 700 Ohm nom |
| Insulation Resistance | ≥500 MOhm @ 50 VDC |
| Connection | 6 Pin BENDIX Receptacle (PT02A-10-6P) |
| Connector Code | CC1 Standard/CC1T |

MECHANICAL

| | |
|----------------------|-------------------------|
| Weight (approximate) | 3 lb [1.4 kg] |
| Safe Overload | 150% of RO |
| Material | 17-4 PH stainless-steel |
| IP Rating | IP64 |

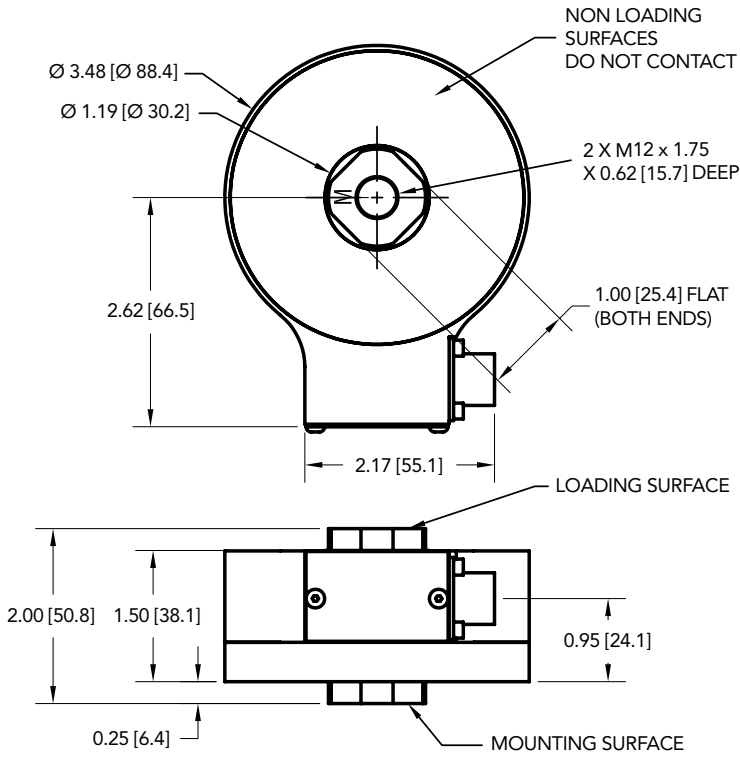
TEMPERATURE

| | |
|-------------------------|---|
| Operating Temperature | -65 to 200°F [-54 to 93°C] |
| Compensated Temperature | 60 to 160°F [15 to 72°C] |
| Temperature Shift Zero | ±0.002% of RO/°F [0.0036% of RO/°C] |
| Temperature Shift Span | ±0.002% of Load/°F [0.0036% of Load/°C] |

CALIBRATION

| | |
|-----------------------------|--------------------------------|
| Calibration Test Excitation | 10 VDC |
| Calibration (standard) | 5-pt tension |
| Calibration (available) | Compression |
| Shunt Calibration Value | 87.325 kOhm, 150 kOhm (250 lb) |

DIMENSIONS inches [mm]

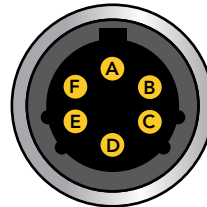


CAPACITIES

| ITEM # | lb | N | Deflection (in) | Natural Frequency (kHz) |
|----------|------|-------|-----------------|-------------------------|
| FSH04155 | 250 | 1112 | 0.001 | 2.3 |
| FSH04156 | 500 | 2224 | 0.002 | 2.3 |
| FSH04157 | 1000 | 4448 | 0.002 | 3.6 |
| FSH04158 | 2500 | 11120 | 0.003 | 5.5 |
| FSH04159 | 5000 | 22240 | 0.004 | 3.2 |

BENDIX 6-PIN (CC1/CC1T)

| PIN | COLOR | DESCRIPTION | TEDS DESCRIPTION |
|-----|--------|--------------|------------------|
| A | Red | + Excitation | + Excitation |
| B | Black | - Excitation | - Excitation |
| C | Green | + Signal | + Signal |
| D | White | - Signal | - Signal |
| E | Orange | + Sense | TEDS Data |
| F | Blue | - Sense | TEDS GND |



Sensor Receptacle View

Drawing Number: FI1442

FUTEK reserves the right to modify its design and specifications without notice. Please visit www.futek.com/salesterms for complete terms and conditions.

10 Thomas, Irvine, CA 92618 USA

Tel: (949) 465-0900

Fax: (949) 465-0905

www.futek.com



RoHS



U.S. Manufacturer