



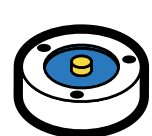
FEATURES

- Ultra low deflection
- Robust strain relief
- 17-4 PH stainless-steel construction
- For use in compression
- Utilizes metal foil strain gauge technology
- Adheres to RoHS directive 2011/65/EU

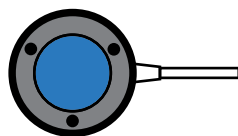
 Non-loading surface, do not contact

 Active End

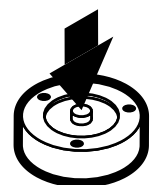
 Fixed End



Top view



Bottom view



+ Output (compression)

SPECIFICATIONS

PERFORMANCE

Nonlinearity See chart on next page

Hysteresis See chart on next page

Nonrepeatability $\pm 0.05\%$ of RO

ELECTRICAL

Rated Output (RO) 2 mV/V nom (100 to 2000 lb),
2.5 mV/V nom (2500 lb)

Excitation (VDC or VAC) 18 max

Bridge Resistance 740 Ohm nom

Insulation Resistance ≥ 500 MOhm @ 50 VDC

Connection #26 AWG, 4 conductor, braided shielded Teflon cable 10 ft [3 m] long

Wiring/Connector Code WC1

MECHANICAL

Weight (approximate) 3.7 oz [102 g]

Safe Overload 150% of RO

Deflection 0.001 in [0.025 mm] nom

Material 17-4PH stainless-steel

IP Rating IP64

TEMPERATURE

Operating Temperature -60 to 200°F [-50 to 93°C]

Compensated Temperature 60 to 160°F [15 to 72°C]

Temperature Shift Zero $\pm 0.01\%$ of RO/ $^{\circ}\text{F}$ [0.018% of RO/ $^{\circ}\text{C}$]

Temperature Shift Span $\pm 0.02\%$ of LOAD/ $^{\circ}\text{F}$ [0.036% of LOAD/ $^{\circ}\text{C}$]

CALIBRATION

Calibration Test Excitation 10 VDC

Calibration (standard) 5-pt Compression

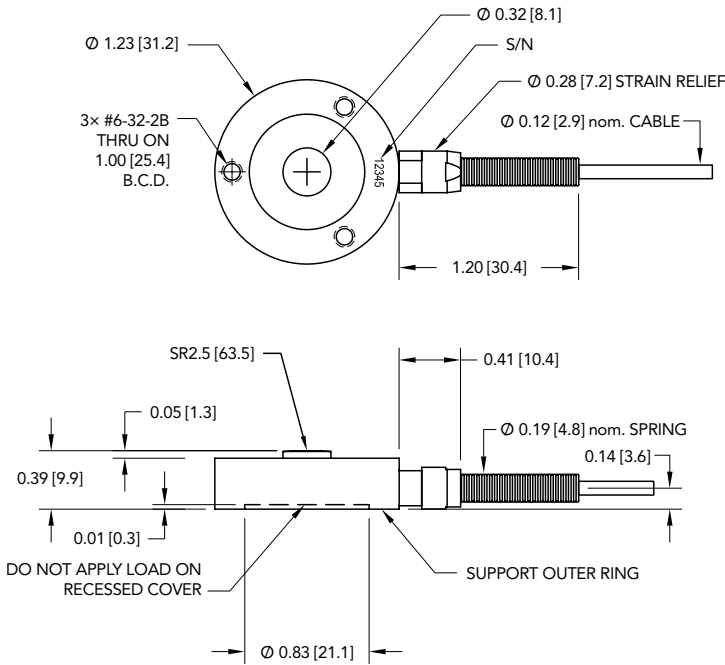
Shunt Calibration Value 100 kOhm, 87.325 kOhm (2500 lb)

CONFORMITY

RoHS 2011/65/EU

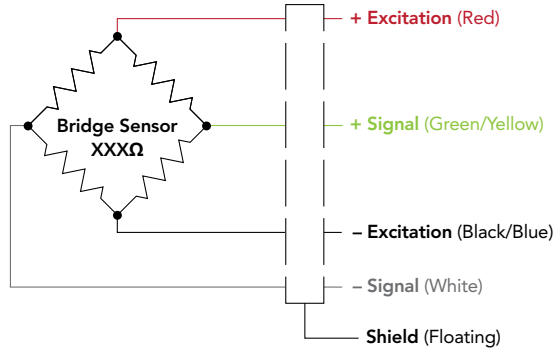
CE EN55011:2009; EN61326-1:2006

DIMENSIONS inches [mm]



WIRING CODE (WC1 WITH SHIELD)

RED	+ EXCITATION
BLACK	- EXCITATION
GREEN	+ SIGNAL
WHITE	- SIGNAL
SHIELD	FLOATING



CAPACITIES

ITEM #	lb.	N	Nonlinearity % of RO	Hysteresis % of RO	Natural Frequency (kHz)
F5H03889	100	445	±0.15	±0.15	12.3
F5H03890	250	1112	±0.15	±0.15	18
F5H03891	500	2224	±0.25	±0.25	24
F5H03892	1000	4448	±0.25	±0.25	29.9
F5H03893	2000	8896	±0.35	±0.35	30.7
F5H03894	2500	11120	±0.50	±0.50	31.8



Drawing Number: F11055-G

FUTEK reserves the right to modify its design and specifications without notice. Please visit www.futek.com/salesterms for complete terms and conditions.

10 Thomas, Irvine, CA 92618 USA

Tel: (949) 465-0900

Fax: (949) 465-0905

www.futek.com



RoHS



U.S. Manufacturer