

FUTEK MODEL LCA300

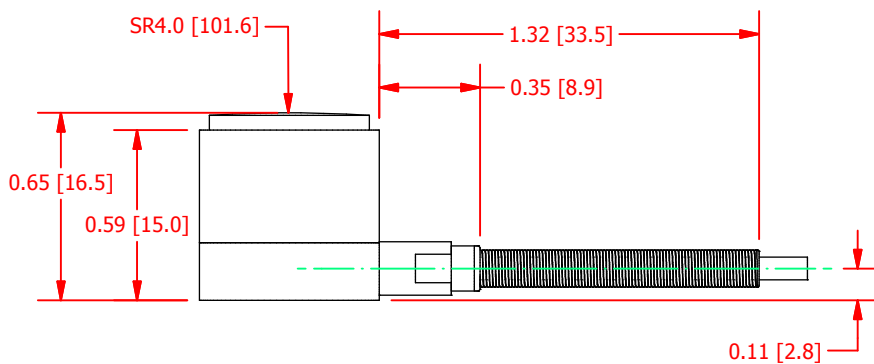
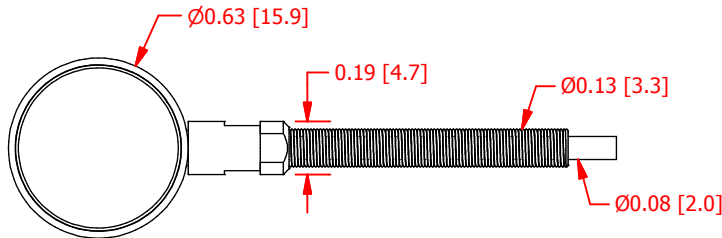
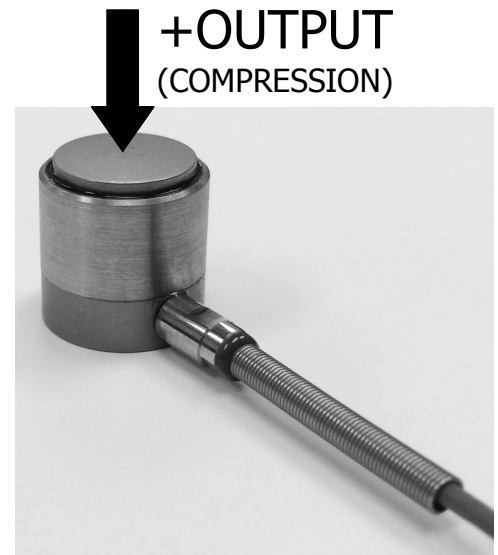
MINIATURE COLUMN LOAD CELL

DRAWING NUMBER: FI1168-A

INCH [mm] | R.O.= Rated Output

WIRING CODE

+ Excitation	- Excitation	+ Signal	- Signal
RED	BLACK	GREEN	WHITE
Shield			
FLOATING			



ITEM #	CAPACITIES	
	lb	N
FSH03814	2K	8896
FSH01766	3K	13344
FSH01767	5K	22240

SPECIFICATIONS:

RATED OUTPUT	1.3 mV/V (2K lb), 2 mV/V (3K-5K lb) nom.
SAFE OVERLOAD	150% of R.O.
ZERO BALANCE	±3% of R.O. (2K lb), ±2% of R.O.(3K-5K lb)
EXCITATION (VDC OR VAC)	18 MAX
BRIDGE RESISTANCE	350 Ω nom
NONLINEARITY	±1% of R.O.
HYSTERESIS	±1% of R.O.
NONREPEATABILITY	±0.5% of R.O.
TEMP. SHIFT ZERO	±0.01% of R.O./°F (±0.018 of R.O./°C)
TEMP. SHIFT SPAN	±0.02% of LOAD/°F (±0.036 of LOAD/°C)
COMPENSATED TEMP.	60 to 160 °F (15 to 72 °C)
OPERATING TEMP	-60 to 200°F (-50 to 93°C)
MATERIAL	17-4PH S.S.
DEFLECTION	0.002 [0.051]
CABLE	#29 Awg, 4 Conductor, Spiral Shielded Teflon Cable, 10ft [3] Long
ACCESSORIES AND RELATED INSTRUMENTS AVAILABLE	
CALIBRATION (STD)	5 pt COMPRESSION; 100KΩ (2K lb), 60.4KΩ (3K-5K lb) SHUNT CAL. VALUE
CALIBRATION TEST EXCITATION	10 VDC



This drawing is submitted solely for the information and exclusive use of the original addressee. It is not to be divulged in whole or in part, by any firm or individual without written permission from FUTEK

10 THOMAS
IRVINE, CA 92618 USA
+1-949-465-0900

<http://www.futek.com>