

WF 5895 Washer type Pt100 surface probe

Construction

Dimensions	Washer / Ring 12x6mm
Material	Stainless steel
Hole diameter	5mm
Ingress protection	IP54

Lead wire

Construction	Teflon insulated flexible cable with internal braiding, 240°C (T) Silicone insulated highly flexible cable, 240°C (S)
--------------	--

Leadwire length "K"

Standard 4000mm

Sensor

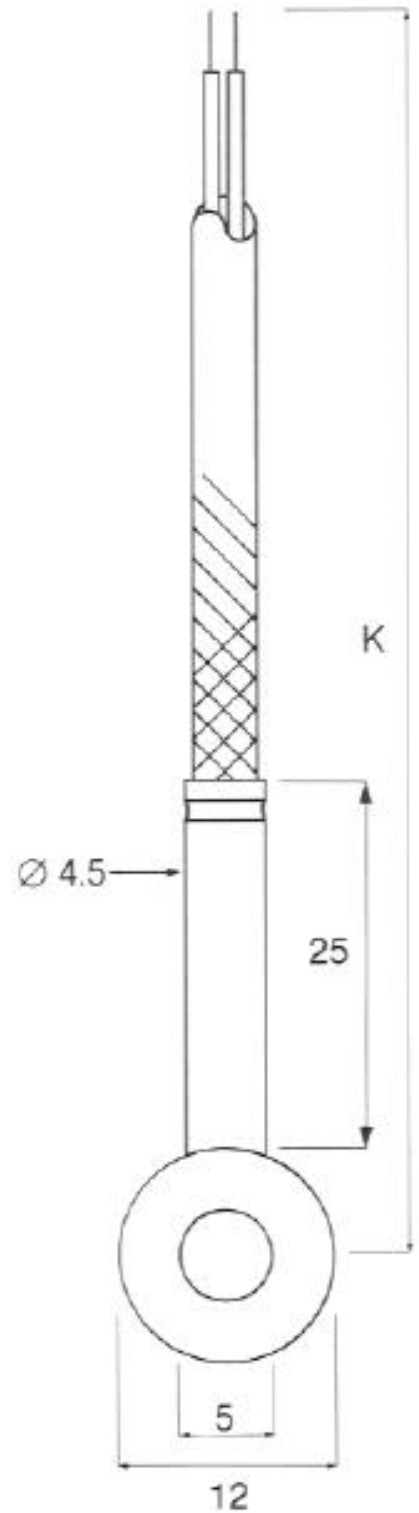
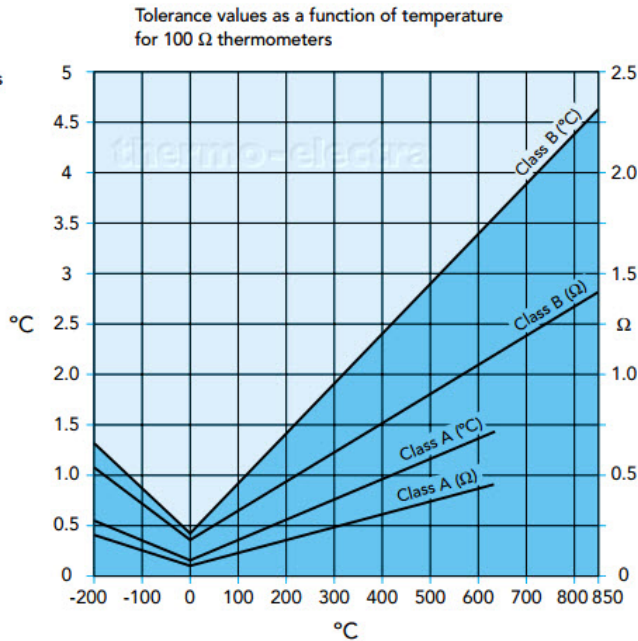
Type	Single Pt100
Style / Connection	Standard 3 wire connected, 4 wire optional
Accuracy	According IEC 751 class B

Options

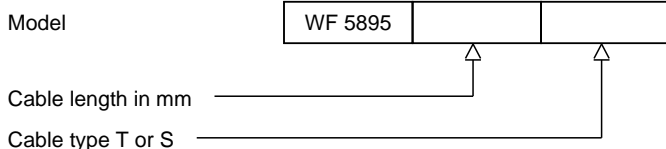
ATEX	Other materials or cable Other washer dimensions to suit larger bolts Exe, Exi, or Exd
------	--

Tolerances for 100 Ω thermometers

temp °C	class A		class B	
	±°C	±°Ω	±°C	±°Ω
-200	0.55	0.24	1.3	0.56
-100	0.35	0.14	0.8	0.32
0	0.15	0.06	0.3	0.12
100	0.35	0.13	0.80	0.30
200	0.55	0.20	1.3	0.48
300	0.75	0.27	1.8	0.64
400	0.95	0.33	2.3	0.79
500	1.15	0.38	2.8	0.93
600	1.35	0.43	3.3	1.06
700	-	-	3.8	1.17
800	-	-	4.3	1.28
850	-	-	4.6	1.34



Ordering code



H2-1 Rev.0 7/07



thermo-electra
temperature sensor solutions

Thermo Electra B.V.
Weteringweg 10
2641KM Pijnacker
The Netherlands

Phone +31 (0)15 - 3621200
Fax +31 (0)15 - 3694082
Email sales@thermo-electra.com
http://www.thermo-electra.com

