

PROPRIETARY AND CONFIDENTIAL

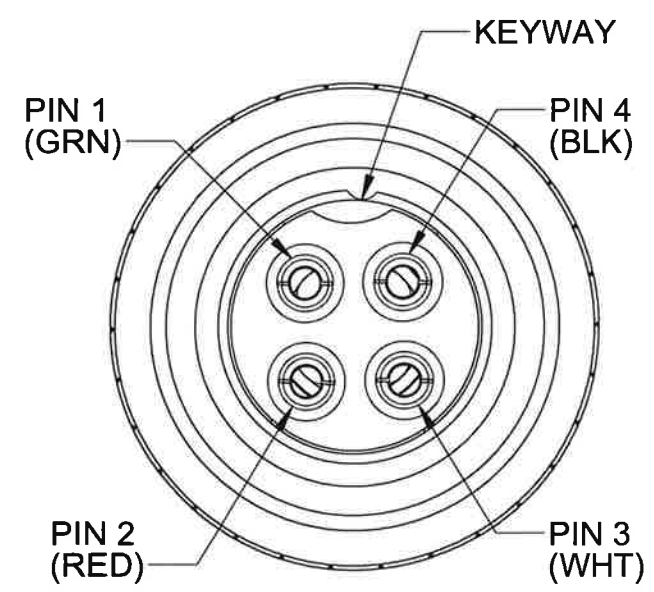
THE INFORMATION CONTAINED IN THIS DRAWING IS THE SOLE PROPERTY OF DYTRAN INSTRUMENTS INC. ANY REPRODUCTION IN PART OR AS A WHOLE WITHOUT THE WRITTEN PERMISSION OF DYTRAN INSTRUMENTS INC. IS PROHIBITED

1 CABLE LENGTH TOLERANCE

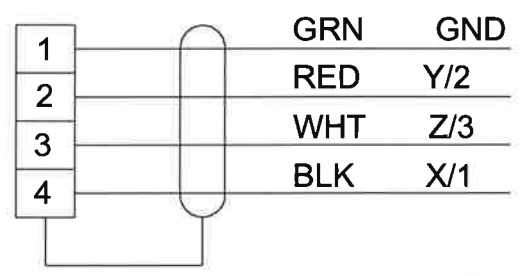
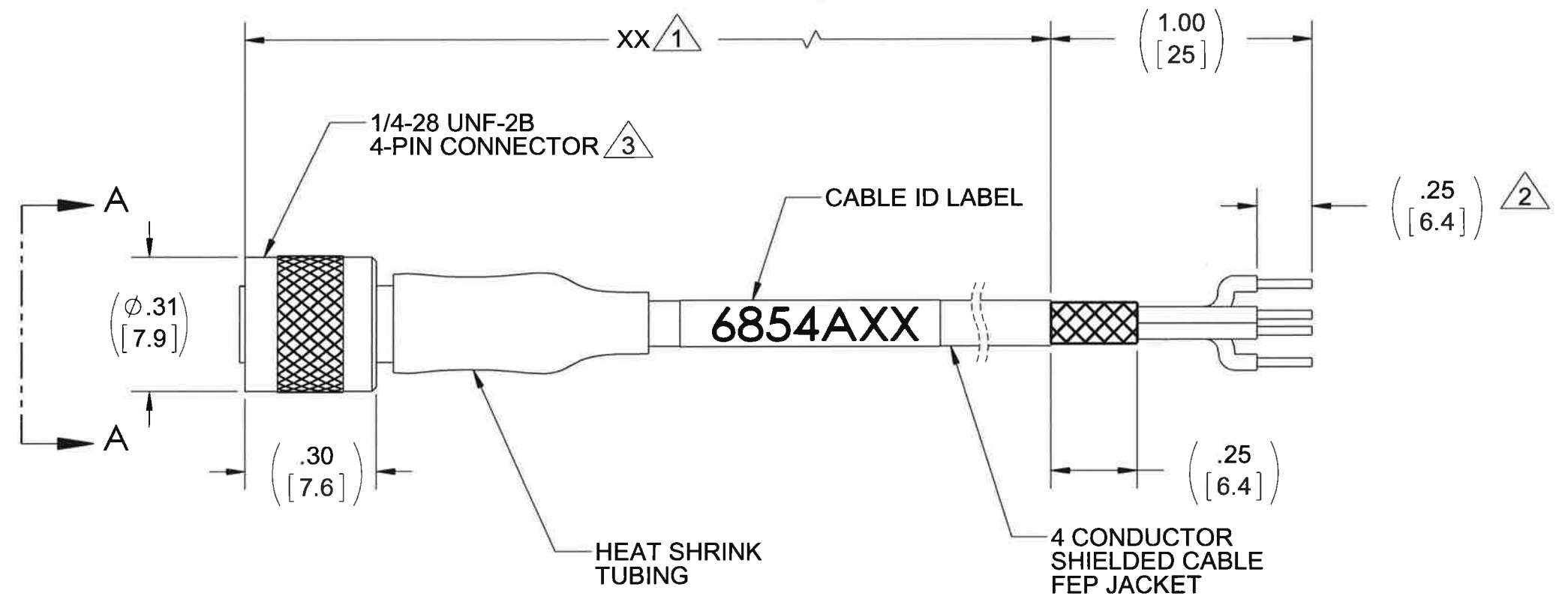
ENGLISH		METRIC	
≤1 FT	+1/ -0 IN	≤0.3m	+25mm/-0mm
>1 FT - 5 FT	+2/ -0 IN	>0.3m-1.5m	+50mm/-0mm
> 5 FT - 10 FT	+4/ -0 IN	>1.5m-3m	+100mm/-0mm
>10 FT - 25FT	+6 / -0 IN	>3m-7.5m	+150mm/-0mm
>25 FT	+5% / -0%	>7.5m	+5%-0%

REVISIONS

REV.	ECN	DESCRIPTION	BY/DATE	CHK	APPR
C	12118	ADDED CABLE SPEC.& LENGTH TOL. TABLES, SCHEMATIC, & "ROHS COMPLIANT" IN TITLE	LA 07/31/15	MH	LW



VIEW A-A SCALE 8:1



SCHEMATIC DIAGRAM

2 CABLE SPECIFICATIONS	
CONDUCTORS	30 AWG 7/38 SILVER PLATED COPPER
TEMPERATURE	392°F [200 °C]
CABLE DIAMETER	Ø .105 MAX.
JACKET	FEP, .015 WALL NOM. COLOR BLACK
SHIELDING	SILVER PLATED COPPER, 90% MIN COVERAGE
CABLING	M27500
VOLTAGE	250 VOLTS
FILLER	NONE

- 4. OPERATING RANGE: -67 °F (-55 °C) TO 230 °F (110 °C).
- 3. CONNECTOR MATERIAL: BRASS, GOLD PER MIL-G-45204 TYPE II, CLASS 1.
- 2. SEE TABLE FOR CABLE SPECIFICATIONS.
- 1. PART NUMBER 6854AXX (XX DENOTES LENGTH IN FEET).

NOTES: UNLESS OTHERWISE SPECIFIED

UNLESS OTHERWISE SPECIFIED: INTERPRET DIM & TOL PER ASME Y14.5M - 1994. REMOVE BURRS. COUNTERSINK INTERNAL THDS 90° TO MAJOR DIA. CHAM EXT THDS 45° TO MINOR DIA. THD LENGTHS AND DEPTHS ARE FOR MIN FULL THDS. DIMENSIONS APPLY AFTER FINISHING.

ALL MACHINED SURFACES. TOTAL RUNOUT WITHIN .005. BREAK SHARP EDGES .005 TO .010. MACHINED FILLET RADII .005 TO .015. WELDING SYMBOLS PER AWS A2.4. ABBREVIATIONS PER MIL-STD-12.

DECIMALS		METRIC		ANGLES	
.XX ±.03	.X ± 0.8			±1°	
.XXX ±.010	.XX ±0.25				

APPROVALS		DATE
ORIG	RA	12/14/06
CHK	RA	12/14/06
APP	EP	01/03/07

DO NOT SCALE DRAWING

THIRD ANGLE PROJECTION USA

DYTRAN MASTER INSTRUMENTS, INC. Chatsworth, CA

ONLY IF IN RED

TITLE: **OUTLINE/INSTALLATION DRAWING, MODEL 6854A, ROHS COMPLIANT**

SIZE B	CAGE CODE 2W033	DWG NO 127-6854A	REV C
SCALE: 4:1	PART NO:	SHEET 1 OF 1	